

MITREPLAN PROJECT PLANNER

Aerosol spray finishes



- An easy-to-follow guide to achieving a perfect result.
- Outlines all the tools you will need for the job.
- Includes a materials checklist.

PLEASE NOTE:

Before starting this project or buying any materials, it is worth your time to read all steps thoroughly first to be sure you understand what is required.

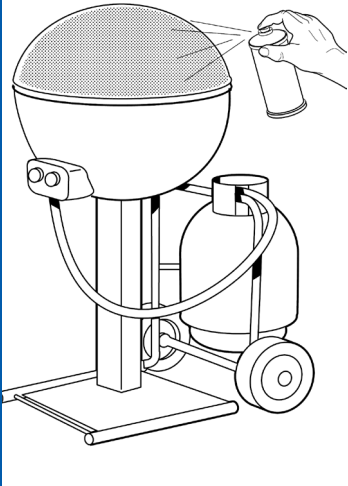
Mitre 10 is proudly Australian owned.

#72

mitre10.com.au

MIGHTY HELPFUL™ MITRE 10

Fig. 5



More Project Ideas

Re-new Your Outdoor Furniture

Plastic garden furniture does not have to be plain white or green anymore, and your old Weber can be brought back to life with the huge variety of spray finishes that are available.

To transform your grubby old 'seen better days' furniture into a uniquely coloured suite, simply clean the surface, apply a coat of primer and then apply two to three thin coats of spray paint in the colour of your choice.

You can then add individual touches such as colour blocks or a stencil in a contrasting colour and seal everything in for lasting protection from the elements with a coat of clear acrylic.

To re-new your BBQ simply clean it down, apply one or two coats of spray paint and leave to dry. BBQ spray paint is guaranteed not to bubble or rub off, is heat resistant up to a certain temperature (check manufacturer's instructions), and dries to a flat black finish.

Stylish Stencilling

Stencils are a great way to add impact to a wall and spray paints are without doubt the easiest way to achieve a professional result.

To apply a stencil to a wall, or in fact any surface, draw and cut out the pattern of your choice, mask off the surrounding area and spray. Alternatively, apply a pre-cut stencil with spray adhesive and then spray. Either way, the finish will be brush mark free.

Mitre 10 offer a range of specially designed stencil paints as well as a range of small project, odds-n-ends sprays in a vast array of colours to suit any style.

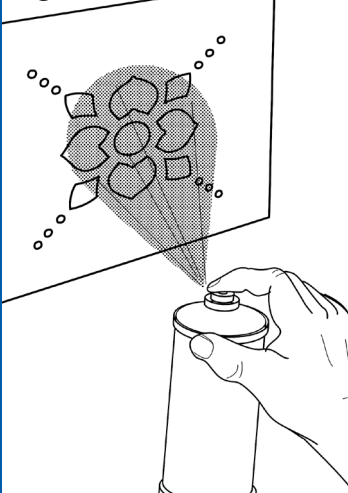
Knick-Knacks Galore

With the huge array of spray finishes available from Mitre 10 stores, creating your own knick-knacks and personalised gifts is quick and easy.

Why not create your own stained glass windows with glass paint or brighten up a boring old photo frame or mirror with colourful enamel. Jazz up candleholders with glitter spray, or individualise your child's room with a DIY blackboard tabletop using blackboard spray paint.

The list of options available to you when using a spray finish to individualise your home is endless.

Fig. 6



IMPORTANT Purchase conditions for solvent based aerosols

The purchase of solvent based aerosols is restricted to persons 18 years or older. Persons may be required to produce evidence of age when purchasing solvent based aerosols.

Learn all about spray finishes – with a little help from Mitre 10.

All spray finishes contain pigment, resin, solvent and propellant. The pigment gives the paint colour. The resin binds or holds the colourant to the surface being painted. The solvent is mixed with the resin and pigment to thin the paint. This evaporates as the paint dries. The propellant is an invisible liquefied gas that provides pressure to atomise, or break up the pigment, resin and solvent to create a consistent spray pattern in which to apply the paint to the surface.

The more solids (pigment and resin) contained in a spray finish the stronger the colour, coverage and overall coating quality of the aerosol paint. Many low price aerosol paints are filled with 'thinners', producing an uneven finish that requires several coats to achieve the same result as good quality paint. And don't be misled by the weight of a can, weight has little bearing on the amount of paint you are buying; in fact many heavy aerosol paints actually contain very low levels of solids.

This MitrePlan will give you all the information you need when buying aerosols, as well as some great project ideas. So get in to it with the help from Mitre 10.

Using spray finishes is a quick, easy and fun way to achieve a quality end result in your DIY, craft or automotive application. To help you along, here are a few steps to help you achieve the perfect, brush mark free finish.

Step 1: Surface preparation

The purpose of surface preparation is to ensure that the aerosol finish bonds firmly to the surface being painted.

Follow these preparation tips for the best results:

- Always spray on a clean, dry, grease and rust free surface.
- Sand back any flaking material or rust with liquid sanding solution, sandpaper or steel wool & wipe clean with a household cleaner, or treat with a rust converter.
- Use a coat of primer, especially on all new surfaces like bare wood or metal to aid adhesion, improve the finish and seal the surface.

Step 2: Achieving professional results

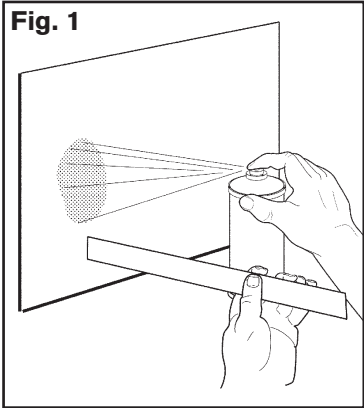
To achieve a professional finish:

- Select a good quality aerosol paint.
- Spray in good weather, 15-28 degrees celsius (recommended), with under 60% humidity is ideal. If spraying inside, ensure adequate ventilation by opening a door or window.
- Test a small surface area of the object being painted for paint compatibility.
- Protect surrounding areas with masking tape, newspaper or drop cloths.
- Shake the can until you hear the 'mixing ball' – then continue shaking for 1 minute.
- Technique is everything. Point the can beyond the left side of the object you are painting and press the nozzle down. Sweep your arm past the object (25-30cms away from you) and when you have passed its right side, take your finger off the nozzle (Fig. 1).
- Repeat the process from right to left and then left to right, until an even coverage has been achieved.
- Remember, applying several thin coats will achieve a better finish than one heavy coat.
- In between spraying, stop and shake the can to ensure the pigment is well dispersed.
- If applying more than one coat of paint remember to observe the re-coat window, which is usually stated on the back of the can. For example some general-purpose paints and spray finishes range can be re-applied at any time without sagging or wrinkling.

Step 3: Safety when using spray finishes

Always work in well-ventilated areas, preferably outdoors. If indoors, leave windows open.

Do not breathe in spray or vapour and always wear a facemask for extra protection.



Use responsibly, and keep children and pets away from aerosol paints.

Aerosol paints are pressurised, never puncture or incinerate the can.

Dispose of empty aerosol cans with normal household rubbish.

Always store aerosol paints in a safe place, preferably locked away, and keep out of reach of children.

Your questions answered

1. Why use a Primer?

We recommend a suitable primer should always be used, especially on bare wood or metal in order to ensure that paint adheres to the surface.

The use of a primer also increases corrosion resistance and smoothes uneven surfaces, which will affect the end result.

And remember, primers come in different colours and different applications. We recommend the following:

Surface	Paint
Non-sanded smooth surface	super enamel or primers
Sanded surface	automotive sandable primer
Galvanized metal/steel	zinc rich primer
Aluminum surface	etch primer
Water-submerged metals	cold gal primer
Fibreglass	sandable primer

Colour Range	Paint
White	To be used under white or pastel colours
Black	To be used under dark colours
Red Oxide	To be used under medium to dark colours
Grey	To be used under light or medium light colours, such as silver

2. How do I get rid of over-spray?

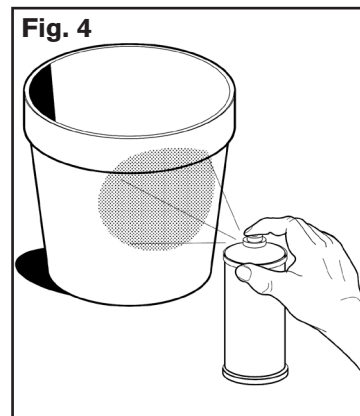
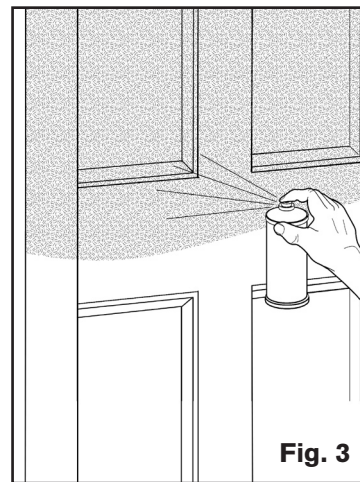
To eliminate over-spray, correct mistakes or paint runs, simply wipe with a solvent and start again.

To remove dry paint, use a paint removal product such as Goof Off, which also removes sticker residue, grease and a multitude of other stains.

3. When painting, the nozzle of the can sometimes get blocked, what can I do?

Simply remove the nozzle from the can and run a knife-edge through the tiny slit at the end of the spray button stem. Clear the spray nozzle orifice by inserting a pin.

Do not insert pins or other sharp objects into the valve opening of the can.



4. I still have some paint left in the can, can I keep it?

Yes. After use, simply clear the nozzle of the can by turning it upside down, pointing away from you and spraying for about 3 seconds. Always store paint in a dry safe area.

Project ideas

Here are a few project ideas to help you improve, decorate and individualise your home.

Antique Your Home

Crackle finishes have long been popular way to give objects an antique appearance and now the look can be achieved quickly and easily with a spray finish.

A system of using two paints has been developed, enabling you to create an aged effect on virtually any surface, from mirrors, to vases to doors (Fig. 3).

To achieve the look, carefully remove any trace of paint, dirt or varnish from the surface, apply two layers of crackle base coat in the colour of your choice and after leaving around 40 minutes to dry apply a crackle top coat, again in the colour of your choice. Then all that is left to do is sit back and watch the crackles appear.

For deeper crackle effect, we recommend you apply a heavy base coat and while still wet, spray between two and four even layers of top coat, depending on how large you want the crackles to be. For extra protection use a clear acrylic.

Colour Your Garden

Brighten up your garden or patio by spraying old pots (Fig. 4), buckets, window boxes, watering cans or wheelbarrows with spray paint. Whilst simple and easy to do, the difference a splash of colour will make to your garden is astounding. For something different, cover your pots in an aerosol stone-like finish.

For the best results simply sand back any old or flaking material, prime with a suitable primer and spray with the colour, or a variety of colours of your choice.

...More project ideas on back page.

IMPORTANT

Purchase conditions for Solvent Based Aerosols

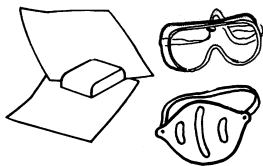
The purchase of Solvent Based Aerosols is restricted to persons 18 years or older. Persons may be required to produce evidence of age when purchasing Solvent Based Aerosols.

MIGHTY HELPFUL CHECKLIST

	Selected spray finish
	Sandpaper, sugar soap, paint remover or steel wool for surface preparation
	A cloth and solvent (such as Mineral Turpentine) for easy clean up
	Masking tape, newspaper or a drop cloth to protect surrounding areas

Verbal quotes are indicative only. Written quotes on materials are available upon request from your Mitre 10 store.

MIGHTY TOOLS FOR YOUR MITREPLAN



**Sandpaper
and sanding block
Safety goggles
Face mask**

Aerosol spray finishes



IMPORTANT: This project planner has been produced to provide basic information and our experienced staff are available to answer any questions you may have. However, this information is provided for use on the understanding that Mitre 10 is not liable for any loss or damage which is suffered or incurred (including but not limited to indirect or consequential loss), for any personal injury or damage to property suffered or sustained as a result of using the information contained in this MitrePlan Project Planner. Mitre 10 advises you to call in a qualified tradesperson, such as an electrician or plumber, where expert services are required, and to independently assess any safety precautions that will need to be followed prior to using the information in this MitrePlan Project Planner.

WARNING: There may be by laws or regulations of councils or other statutory bodies that you must comply with when following this MitrePlan Project Planner.

Your local MITRE 10 Store is: