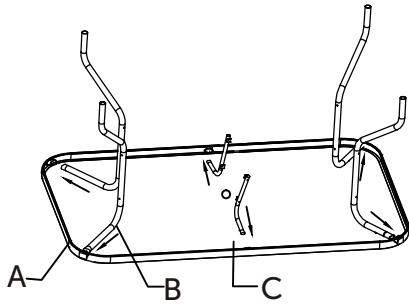
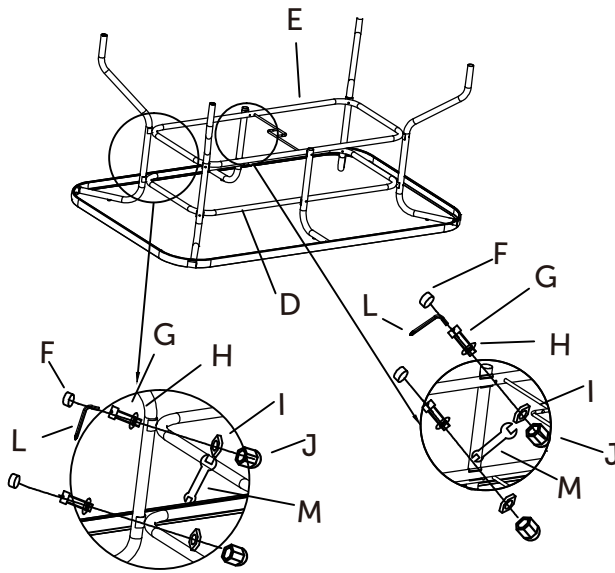


# Assembly Instruction

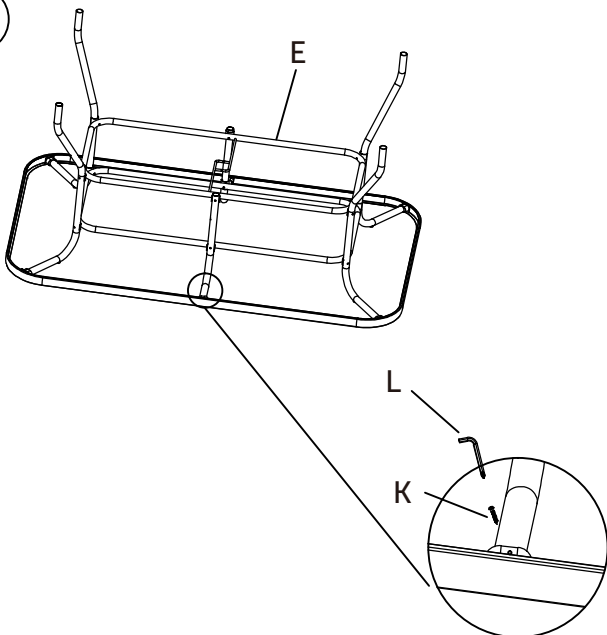
1



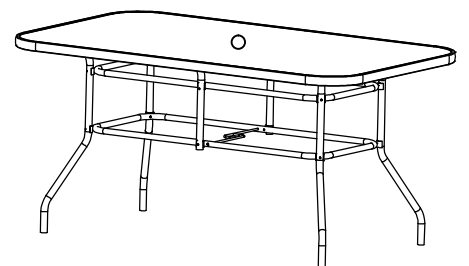
2


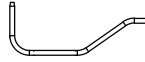
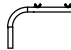

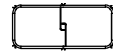

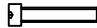

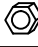


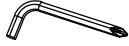
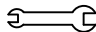


3



4



PARTSLIST		
NO.	DESCRIPTION	QTY.
A		1
B		4
C		2
D		1
E		1
F		12
G		12
H		12
I		12
J		12
K		2
L		1
M		1

Do not tighten bolts until product is fully assembled.