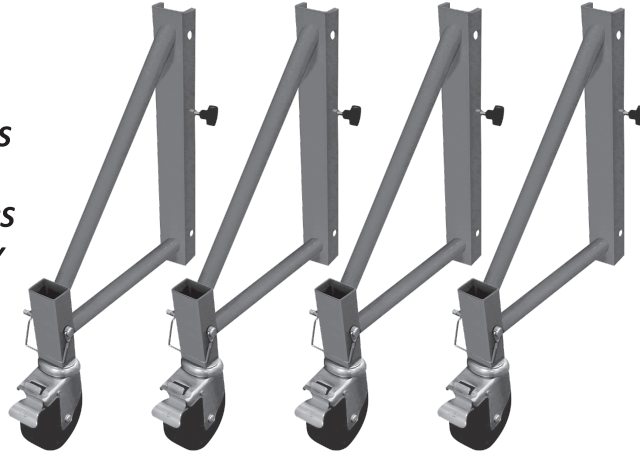


INSTRUCTIONAL MANUAL:

HW0634

- 4 X 46CM OUTRIGGERS
- STEEL CONSTRUCTION
- 4 X LOCKABLE CASTORS
- 360 DEGREE MOBILITY



USE ONLY WITH Hurricane
450kg
RATED **INDUSTRIAL**
1.8m SCAFFOLD PLATFORM: HW0633

⚠ READ BEFORE BEGINNING ASSEMBLY

FAILURE TO READ AND FULLY UNDERSTAND ALL SAFETY INSTRUCTIONS AND ASSEMBLY COULD RESULT IN SERIOUS INJURY OR DEATH.

DANGER

METAL CONDUCTS ELECTRICITY:

DO NOT use this Outrigger Set with Castor Wheels where electrical hazards exist.
DO NOT use this Outrigger Set with Castor Wheels where contact may be made with power lines or other live electrical circuits.

NOTE:

When using the Hurricane™ 1.8m 450kg Scaffold Platform with Trap Door (HW0633) and the working height is over 0.9m it is recommended that the Hurricane™ Guard Rail (HW0635) and this Hurricane™ Outrigger Set with Castor Wheels (HW0364) (sold separately) are used in conjunction.

OPERATION AND SAFETY:

- Do not use this equipment if you are in poor health, tire easily or are subject to fainting spells, unsure of your balance, are using medication, drugs or alcohol, are pregnant or physically handicapped.
- Always use this scaffold and conform with all local and national legislation which applies.
- Always inspect before use. Do not use scaffold accessories if damaged or if parts are missing.
- Examine thoroughly, making sure unit is correctly set up.
- Outrigger must be flush against scaffold leg and castor must be in contact with the surface.
- It is recommended that Guard Rails be installed on all open sides of a work platform where a person could fall from a height of 0.9m or more.
- Always fasten the Guard Rail system to the structure using locking pins or bolts.
- Securely lock all braces and platform before each use.
- There must be a minimum of two side braces installed on each scaffold level and evenly spaced throughout the scaffold. Lack of adequate bracing could cause scaffold to collapse.
- The castors must be the same size as the castors on the scaffold.
- Always use castors locked to the structure with locking pins.
- Do not climb unless all castors are in locked position.
- Lock the castors on the outrigger each time you lock the castors on the base scaffold. This is to be done prior to climbing the scaffolding.
- Erect to be plum on firm and level surface.
- Must be used on a firm surface that is free of pits, debris, holes or obstructions.
- Never place anything under or attach anything to a scaffold to increase height or to adjust to uneven surfaces.
- Acids are corrosive and can seriously affect strength. Do not expose to corrosive substances.
- Keep scaffold free of debris and unnecessary equipment.
- Always keep body centred inside structure or scaffold.
- Remove or fasten all tools, material or equipment before moving. Use extra caution when moving to avoid tipping.
- Never try moving this scaffold while standing on it.
- Never move a scaffold with a worker within.
- Do not use powered devices to propel this scaffold. Use extra caution near operating machinery.
- Do not use in inclement weather or high winds.
- Maintain a firm grip while climbing. Do not modify the scaffold or any of its components.
Do not use the scaffold as a footbridge.

ASSEMBLY INSTRUCTIONS:

Step 1

Erect the Hurricane™ 1.8m 450kg Scaffold Platform with Trap Door (HW0633) by following the instructions supplied with it.

Step 2

Install castor into one outrigger of the Hurricane™ Outrigger Set with Castor Wheels (HW0364) and secure it with locking pin. Set castor brake. Repeat with other castors.

Step 3

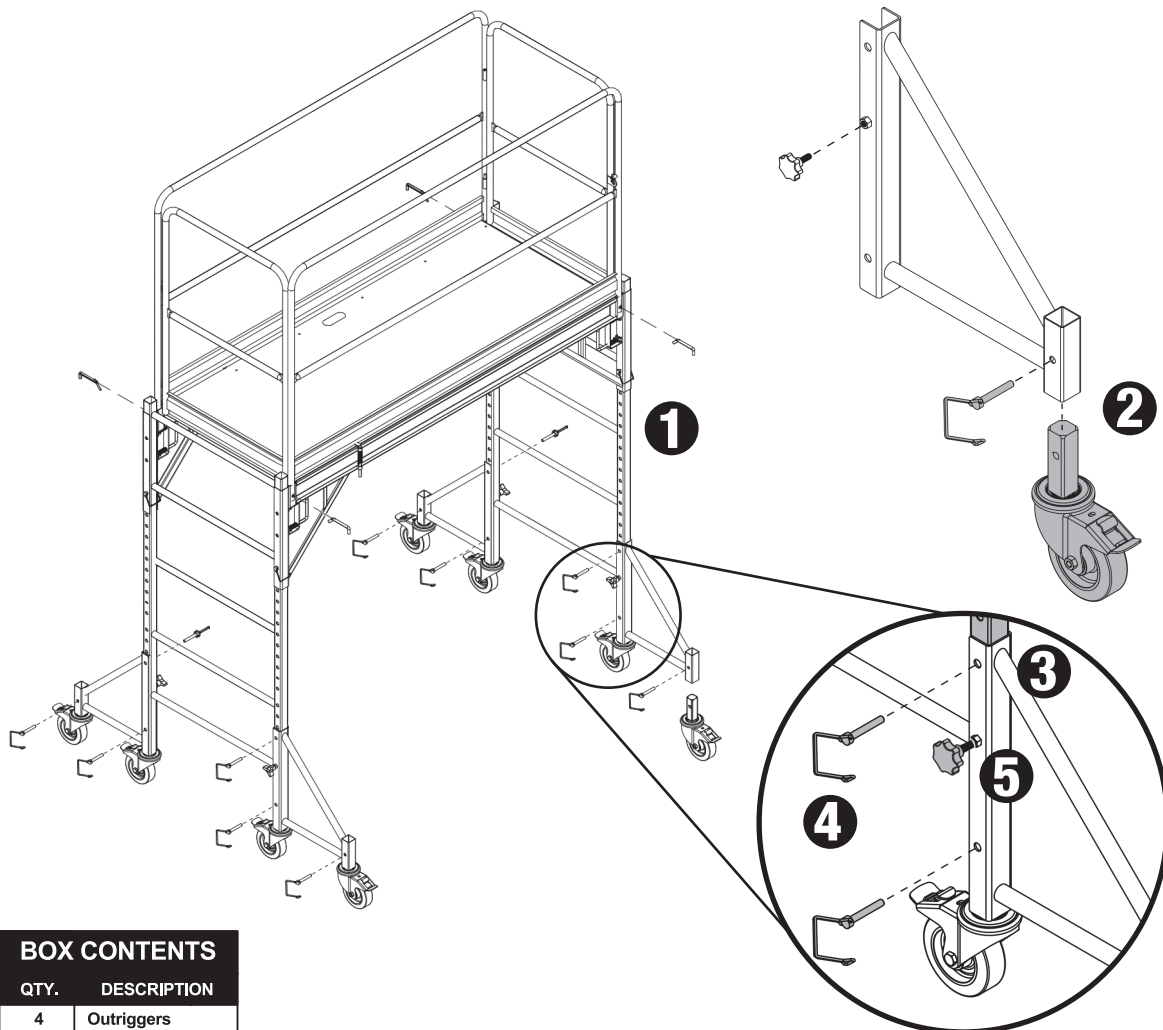
Place outrigger to bottom of Hurricane™ scaffold frame at a 90° angle to the side brace.

Step 4

Lock each outrigger into place by using two locking pins. You must first remove the locking pin of the castor attached to the scaffold unit, align the outrigger and then replace the locking pin to lock the castor and base of the outrigger.

Step 5

Firmly tighten the tightening knob so that the scaffolding and the outrigger are perfectly lined up and united.



BOX CONTENTS

QTY.	DESCRIPTION
4	Outriggers
4	Tightening knobs
4	Castors
12	Locking-pins