

AcquaSaver®



Water Diversion Valve

- ✓ Hydraulically Operated
- ✓ Solid Brass Construction
- ✓ Built-in Dual Check Valves

 [acquasaver.com.au](https://www.acquasaver.com.au)

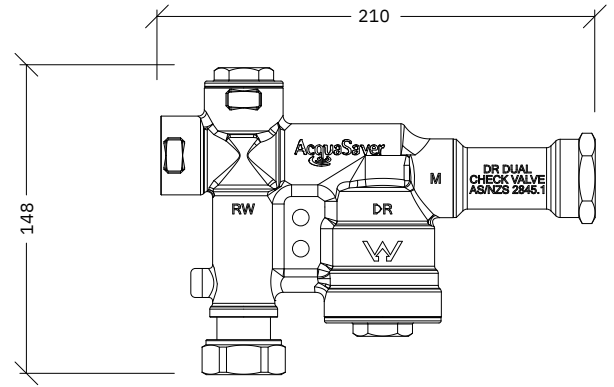

WaterMark
WMTS477
LN 60075



AcquaSaver®

The AcquaSaver® Valve is a fully automatic mechanical rainwater/mains water changeover device designed for pressure pump supply systems for harvesting rainwater for the toilet, laundry and household applications with automatic mains backup.

It is suitable for up to 2 toilets and washing machine and an extra tap outlet.



Features

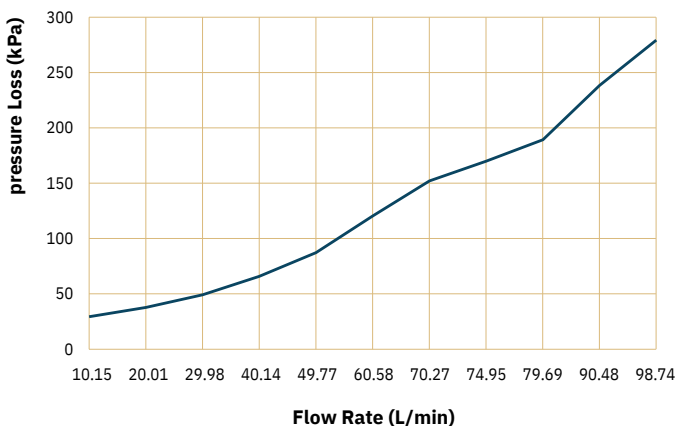
- ✓ Easy to install
- ✓ Patent design
- ✓ Solid Brass mounting bracket (optional)
- ✓ Watermark approved to WMTS-477:2016
- ✓ Does not require regular maintenance
- ✓ No electrical consumption - No electronic components
- ✓ Solid brass construction - Fully weatherproof - Built to last
- ✓ Suitable for any pressure pump with sufficient head pressure
- ✓ Can be mounted in any position
- ✓ Dual Outlets
- ✓ Built-in dual check valve for backflow prevention
- ✓ 3 Year warranty

Specifications

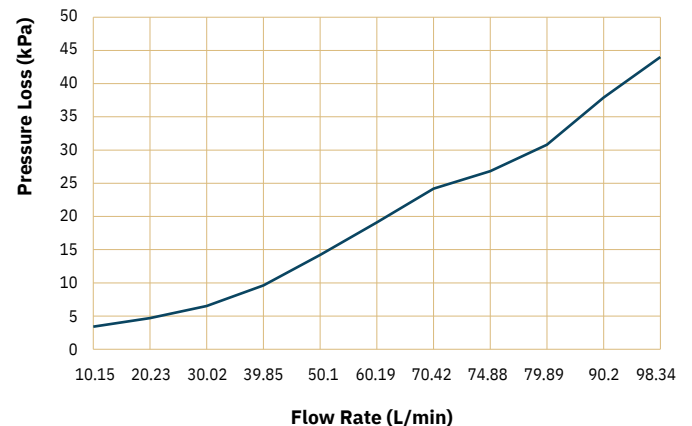
| | |
|-----------------------|---------------|
| Max Mains Pressure | 1000 KPa |
| Min Pump pressure | 350 KPa |
| Max Flow Rate | 100 LPM |
| Max Water Temperature | 50° C |
| Min Water Temperature | 0° C * |
| Pump Inlet | 25mm 1" BSP F |
| Mains Water in | 25mm 1" BSP F |
| Outlets | 25mm 1" BSP F |
| Weight | 1.6 KG |

*Ensure proper protection against freezing weather. Complies to AS/NZS 3500.1 when installed by a licensed plumber.

Flow vs. Pressure curve – Mains Inlet



Flow vs. Pressure curve – Pump Inlet



Proudly manufactured by



4 Squires Way, Croydon South
Victoria 3136 Australia

+61 3 9878 1575
+61 3 9894 2820

acquasaver.com.au

Available from:

