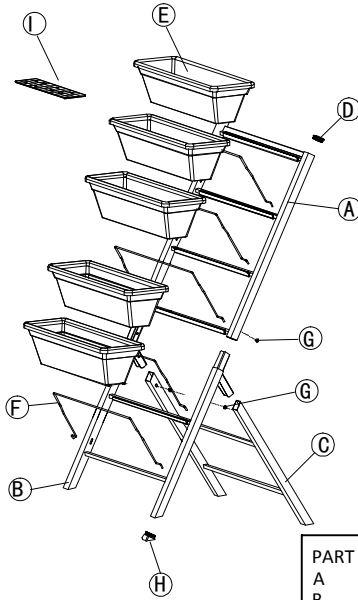


INSTALLATION MANUAL

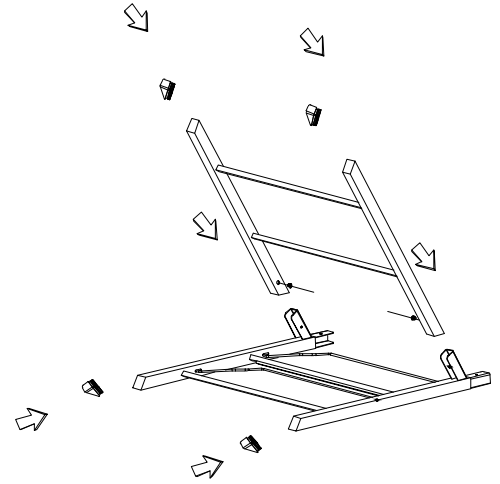
IN THE BOX



PART	DESCRIPTION
A	1 x TOP FRAME
B	1 x BOTTOM FRAME
C	1 x REAR FRAME
D	2 x TOP END CAPS
E	5 x PLANTER BINS
F	5 x BIN HANGERS
G	4 x M6 SCREWS
H	4 x BOTTOM END CAPS
I	5 x INNER TRAYS

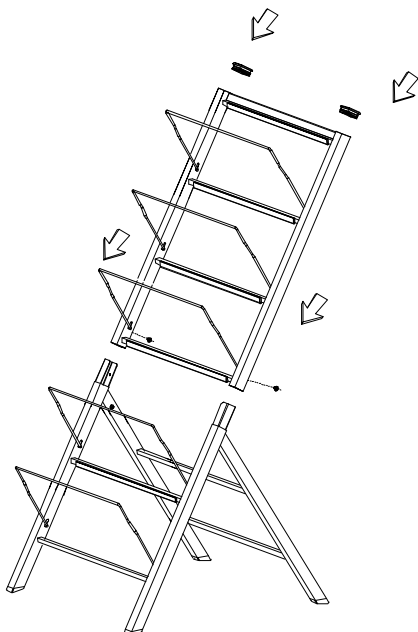
STEP 1

Mount the rear frame (PART C) onto the bottom frame (PART B). Secure it with (2x) M6 screws (PART G). Insert the bottom end caps (PART H) into the legs.



STEP 2

Mount the top frame (PART A) onto the bottom frame (PART B). Secure it with (2x) M6 screws (PART G). Insert the top end caps (PART D) into the top frame.



STEP 3

Install the plastic planter bins (PART E) by hooking the lip edge on the rear frame channel and placing bins on the bin hangers (PART F). Finally, place the inner trays (PART I) into each planters.

