



A.B.N. 39 073 621 208

Factory 13 5 Speedwell Street Somerville Vic 3912

Phone (03) 5978 8755

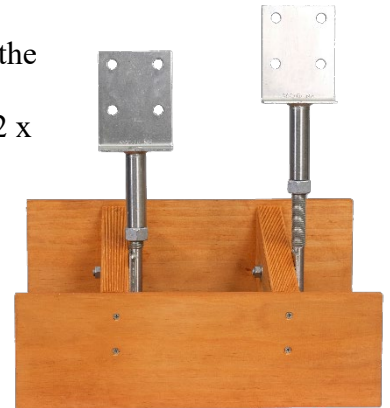
Email : [info@roofextenda.com.au](mailto:info@roofextenda.com.au)

Website : [www.roofextenda.com.au](http://www.roofextenda.com.au)

## MKII INSTALLATION GUIDE

### General Installation

1. Remove roofing tiles or lift roof sheets to achieve an opening to fit the Roof Extenda bracket.
2. Bolt angle bracket with the threaded rod to the selected rafter with 2 x M12 coach screws. Secure the brackets to the top plate with 2-M10 coach screws through the two lower bottom holes.
3. Replace roof tiles or roof sheet, cutting a hole to allow the threaded rod to penetrate the roof.
4. Ensure you seal the centre hole in the **top bracket** prior to attaching pergola or carport beam, for further weather proofing.



### Care Instructions

Roof Extenda recommends painting mild steel brackets before installation. Brackets to be cleaned and inspected yearly and re-coated if required.

### FlashRite Weather Seal

If using a FlashRite weather seal it is fitted to the top bracket, top bracket is then wound down to the desired height and the lock nut tightened. Mark the position of the FlashRite weather seal on the roofing. Slide the FlashRite weather seal up to apply clear neutral cure silicone inside the area marked, press the FlashRite weather seal into position and finish with a bead of silicone to the edges of the FlashRite weather seal to complete the fitting.

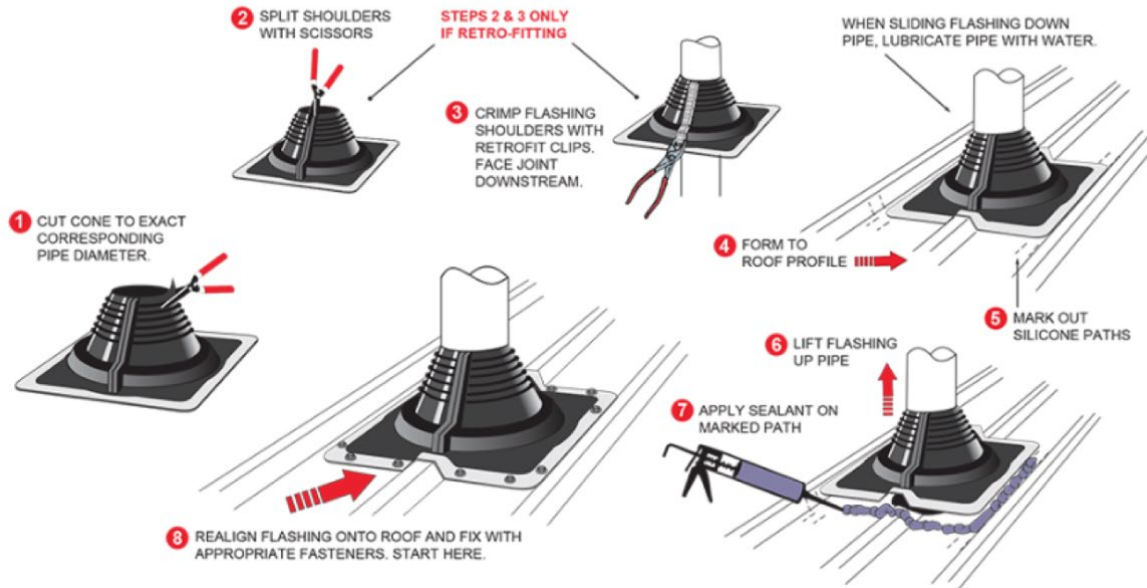
### Flexatile

If using a flexatile, remove the middle lining from the underside of the flexatile. Cut the rubber cone at least 15mm smaller than the bracket outside diameter with a sharp knife or scissors. Ensure tiles are cleaned before installation. Lubricate the bracket with water and slide the flashing down the bracket. Form an anti-capillary fold at top of base sheet. Remove the protective backing from the underside of the flashing, that is covering the butyl adhesive strips. Hand form the base all around the tile and apply pressure to the butyl adhesive side strip.

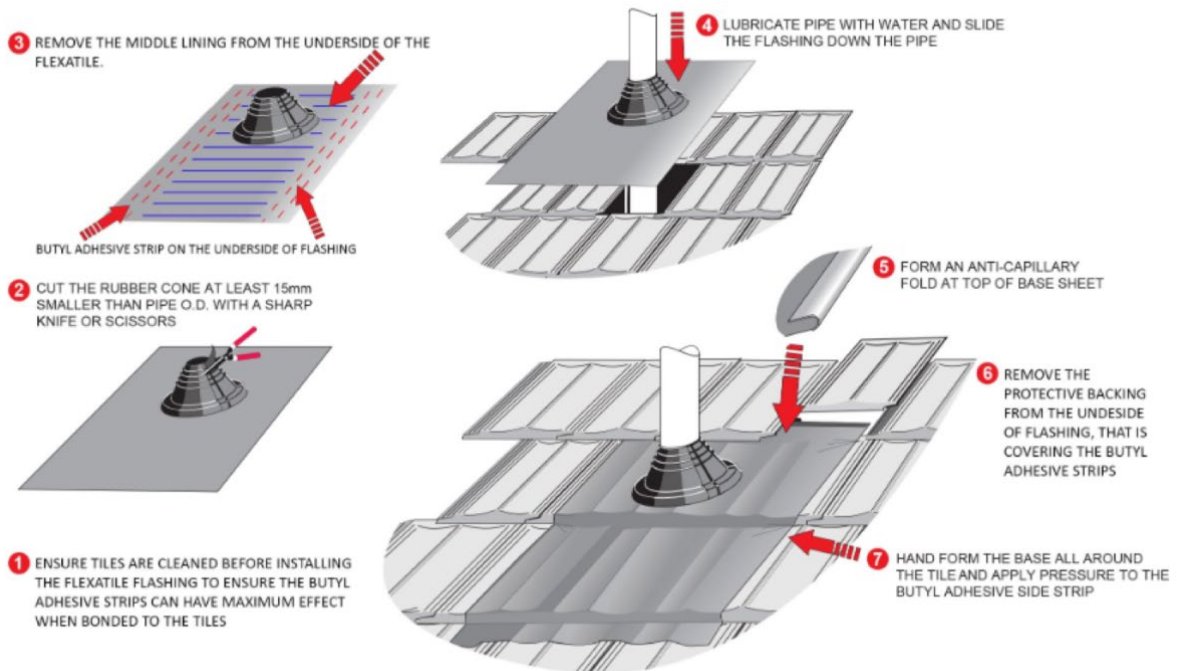
### Note

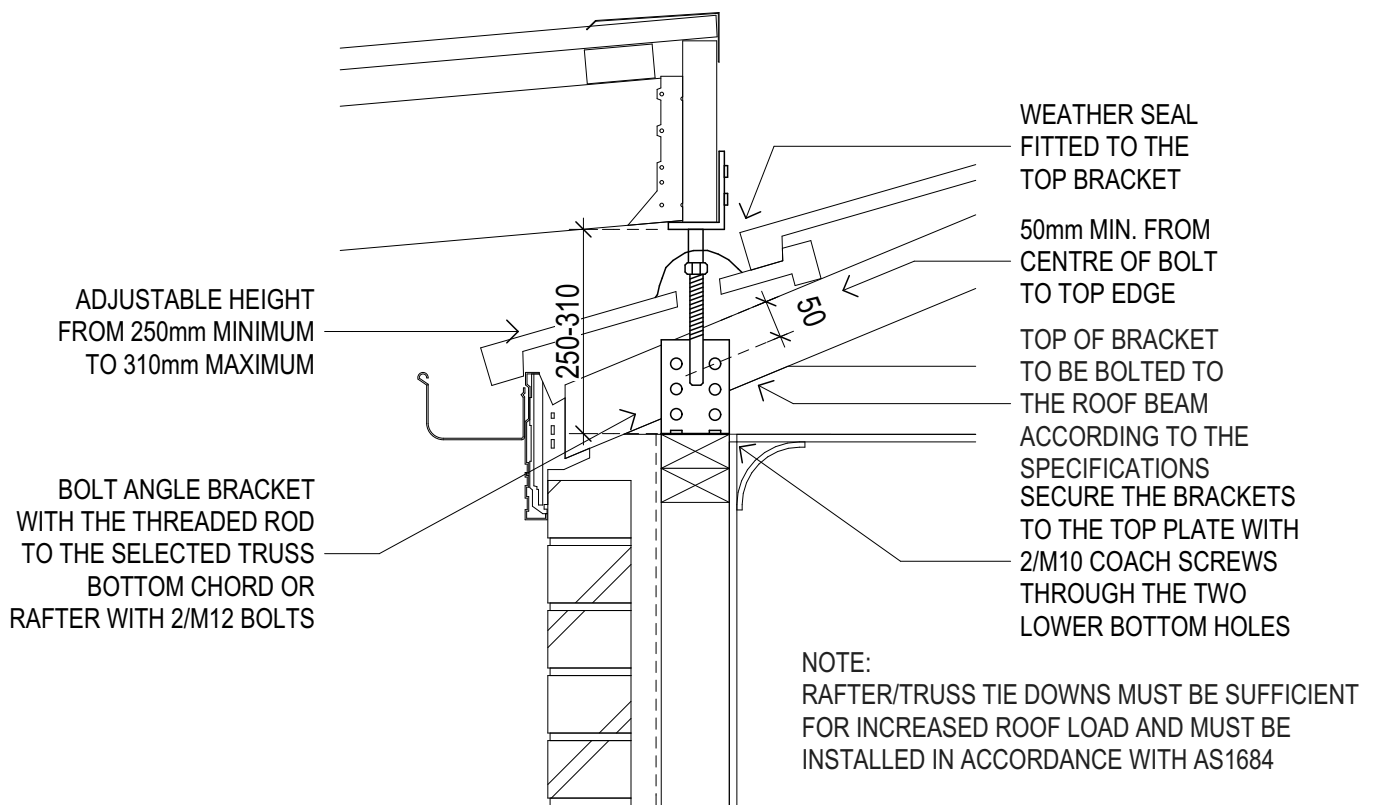
Local Council or Shire approval may be required prior to construction. Engineer's computations related to Roof Extenda products are available on the website. Roof Extenda accepts no responsibility for the type of construction undertaken. If located in a highly corrosive area, Roof Extenda recommends 316 marine grade stainless steel brackets.

## Installation Overview



## Installation Overview





## MKII

Adjustable height from 250mm to 310mm maximum