

This shed kit can be built two ways!



Config A

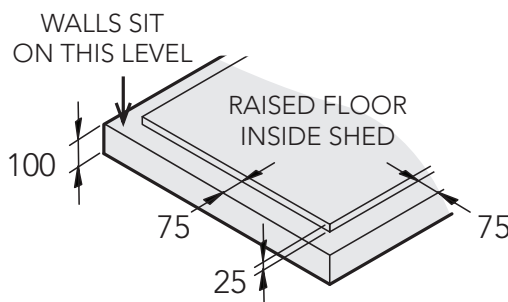
Choose roof slope direction to suit your site.



Config B

Please make a decision now and read ahead to get a good understanding of the steps required before beginning construction.

- Pages 1 to 14 are common
- Pages 15 to 19 are Config A specific
- Pages 20 to 24 are Config B specific



Overall slab base dimensions for this model are as shown above.

Illustration not to scale.

Dimensions are millimeters (mm)

For construction in non-cyclonic areas

Wind rating: "N2" as per AS4055-2021 ("Medium M" to NZS3604-2011)

If you require a higher wind rating please contact us: admin@absco.com.au or 1800 029 701



**DOWNLOAD
OUR APP FOR
ASSEMBLY
VIDEOS**



PLEASE LEAVE A REVIEW

Tell us about your experience!
Visit www.absco.sheds.com.au/review

*Most models available

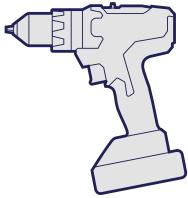
GENERAL INSTRUCTIONS

- Before commencing any assembly, read through these instructions in detail to gain a thorough understanding of assembly methods and associated details.
- Unpack the carton and carefully identify and check off all the parts against the parts described and illustrated on "COMPONENTS PACKING LIST" pages.
- Some drilling is required during assembly; Carefully clean away steel shavings (swarf) as you go. Use a soft brush or vacuum as you go to prevent damage to your shed.

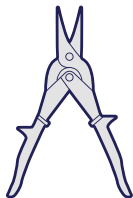
SITE PREPARATION

- The site for the shed must be level. An uneven surface may result in misalignment of parts.
- The shed shall be erected on top of a reinforced concrete slab and anchored down appropriately illustrated on "FINAL CONSTRUCTION" page.

TOOLS REQUIRED



Cordless drill



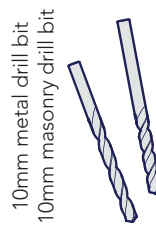
Tinsnips



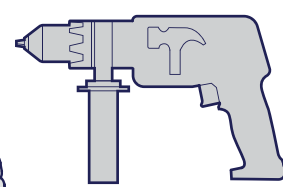
Pop riveter



Ladder



10mm metal drill bit
10mm masonry drill bit



Hammer drill

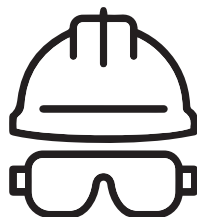


Shifter

SAFETY NOTES

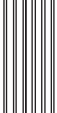
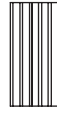
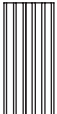
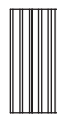
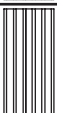
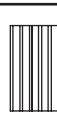
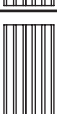




- Some parts may have sharp edges. It is advisable to wear gloves when handling these items and safety glasses if drilling holes. Sensible shoes are highly recommended.
- Do not erect your shed in windy conditions.
- Ensure that the shed is securely anchored to a solid foundation immediately after construction is completed.
- It is highly recommended to erect the shed with two or more people.
- Do not sit, stand or walk on the roof of your shed.

RECOMMENDED

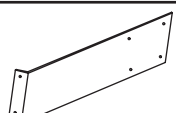
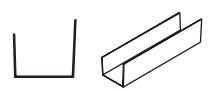
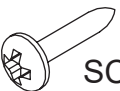
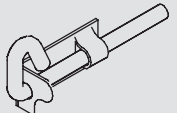
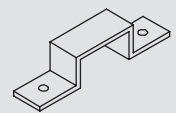

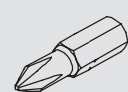

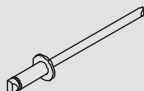


COMPONENTS LIST

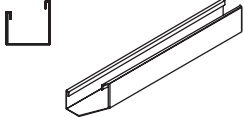
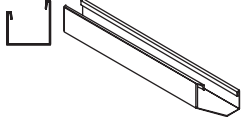
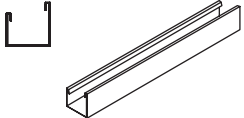
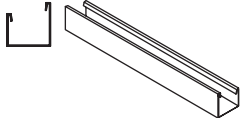
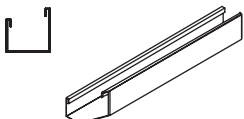
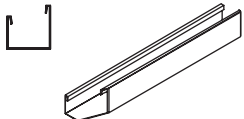
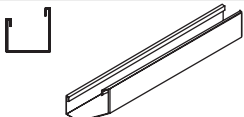
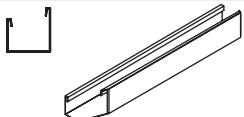
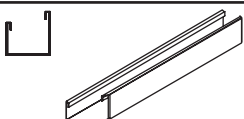
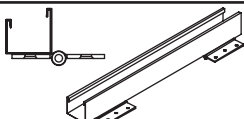
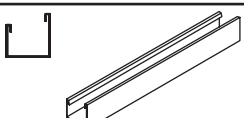
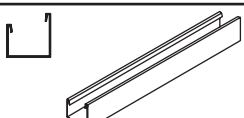
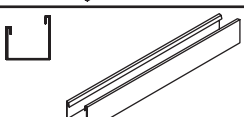
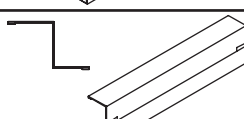
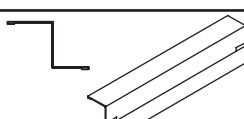
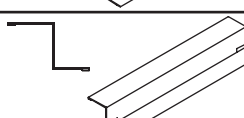
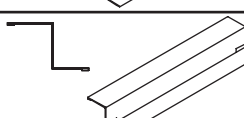


Nominal sheet widths are shown +/- 2 mm is within tolerance

QTY	DESCRIPTION	PART #	CHK	QTY	DESCRIPTION	PART #	CHK
1	 STEEL SHEET 2034 x 773 mm	H31		1	 STEEL SHEET 1785 x 773 mm	31A	
1	 STEEL SHEET 2034 x 773 mm	H3L		1	 STEEL SHEET 1785 x 711 mm	34A	
1	 STEEL SHEET 2034 x 773 mm	H3R		1	 STEEL SHEET 1725 x 773 mm	DOOR B	
3	 STEEL SHEET 1785 x 773 mm	30A		3	 STEEL SHEET 1610 x 773 mm	43S	
1	 STEEL SHEET 1785 x 773 mm	30G					
1	 GABLE LEFT 1475 mm	16L		1	 GABLE RIGHT 1475 mm	16R	

FITTINGS PACK

QTY	DESCRIPTION	PART #	CHK	QTY	DESCRIPTION	PART #	CHK
1	 DOOR STRAP	12A		6	 CHANNEL JOINER 200 mm	CSJ	
8	 SELF TAPPING SCREW 8G X 20MM	FAST 013		1	SINGLE DOOR FITTINGS PACK SHOWN BELOW IN GREY	PSTK SGL	
1	 DOOR PADBOLT	FAST 006		1	 PADBOLT HASP	FAST 007	
1	 3.2 mm DRILL BIT	DRILL		1	 PHILLIPS DRIVER BIT	FAST 038	
1	 SELF TAPPING SCREW 8G X 10MM PACK QTY 220	FAST 001		6	 POP RIVET 3.2 x 8 mm	FAST 009	

COMPONENTS LIST

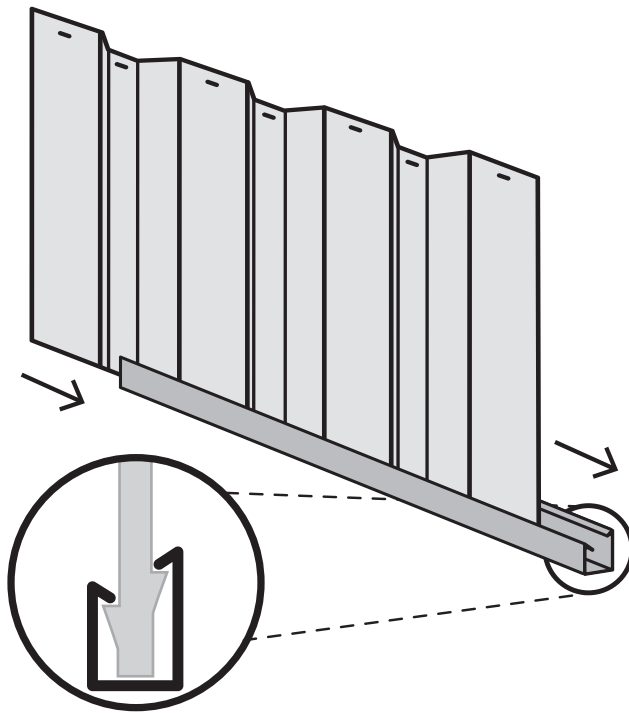
QTY	DESCRIPTION	PART #	CHK	QTY	DESCRIPTION	PART #	CHK
4	 CHANNEL 1126.5 mm	81DL		4	 CHANNEL 1126.5 mm	81DR	
2	 CHANNEL 1126.5 mm	81CL		2	 CHANNEL 1126.5 mm	81CR	
1	 CHANNEL 1513 mm	77E		1	 CHANNEL 1513 mm	77J	
1	 CHANNEL 1513 mm	77G		1	 CHANNEL 1513 mm	77K	
1	 CHANNEL 1785 mm	80A		1	 CHANNEL 1725 mm	58A	
2	 CHANNEL 773 mm	58C		1	 CHANNEL 1725 mm	58B	
1	 CHANNEL 781 mm	79C					
1	 JAMB 1785 mm	89A		1	 JAMB 783 mm	90C	
1	 JAMB 1785 mm	89B		2	 JAMB 1120 mm	91A	
2	 LIP 1610 mm	88J		2	 LIP 260 mm	88P	

SNAPTITE ASSEMBLY GUIDE

The Snaptite Assembly System locks end channels to all roof and wall sheets without the need for tools and fasteners.

To assemble each panel, the perimeter channels are secured to the top and bottom of each panel. Gently tap the channel over the SNAPTITE lugs on the sheet, working along the sheet.

Each perimeter channel must finish flush with the edges of the sheets. Simply tap the channel along the sheets until each end is neatly flush. If you need to remove channels from the panels, slide it off from the side.



SNAPTITE
World's Easiest Assembly System
UNIQUE PATENTED SYSTEM

Channel locks the shed panel into position without the need for screws!

FASTENING SYMBOLS

SNAPTITE

Secure channel to sheeting by SNAPTITE fastening method.



Join components together with one screw at this location only, as some channels have extra holes that are not required for this model of shed.



Do not join components together at this location yet, as the screws may obstruct further assembly of the other components.



Join components together by pre-drilling the holes first. Use one component as template to mark where the holes are and drill with a 3mm drill bit.



3mm pop rivet



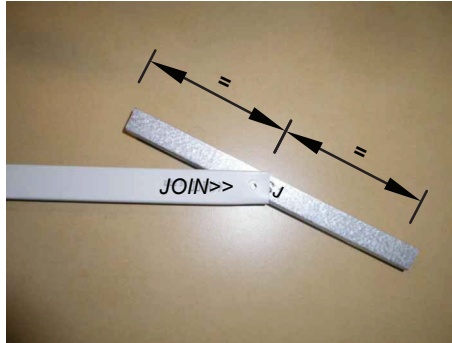
4mm nut and bolt set.

Guide on Joining Spliced Channels

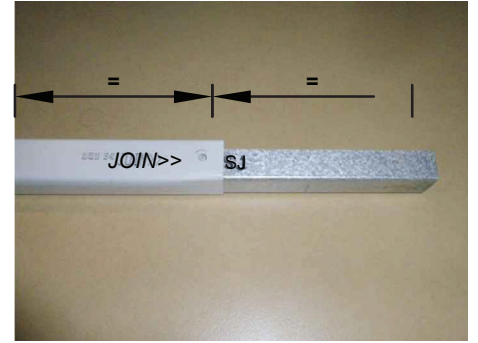
The text marked on all parts must be shown on the same side as each other



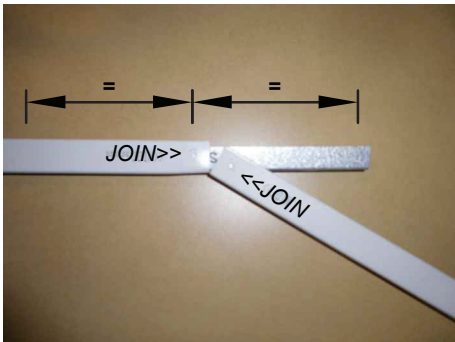
Step 1.
Position the channels and the CSJ joiner so the centre of the CSJ is in line with the end of each channel to be joined together.



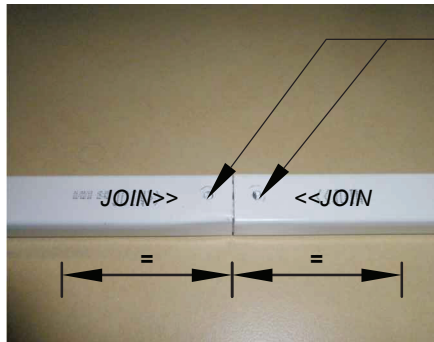
Step 2.
Join the first channel to the CSJ by inserting the centre of the CSJ, on an angle, to the end of the channel where the JOIN>> text is marked.



Push down one side of the CSJ until you hear a 'click'.

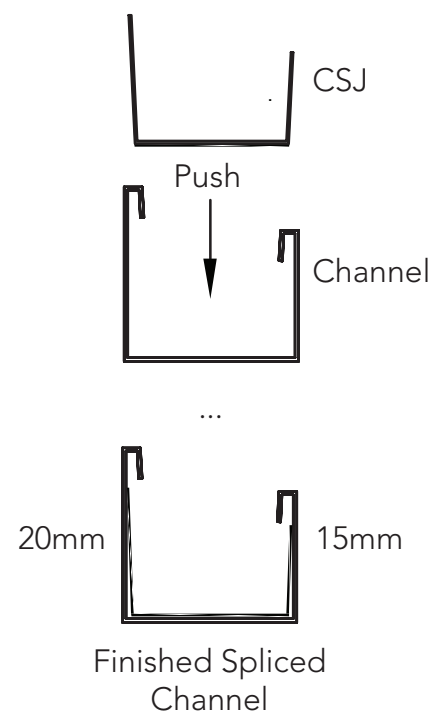


Step 3.
Join the second channel to the CSJ by positioning the <<JOIN of the channel at the centre of the CSJ, on an angle. Push the CSJ into the channel until you hear a 'click'.



Finished Channel.
The joined channels should now look like the picture with the CSJ positioned equally inside of the joined channels.

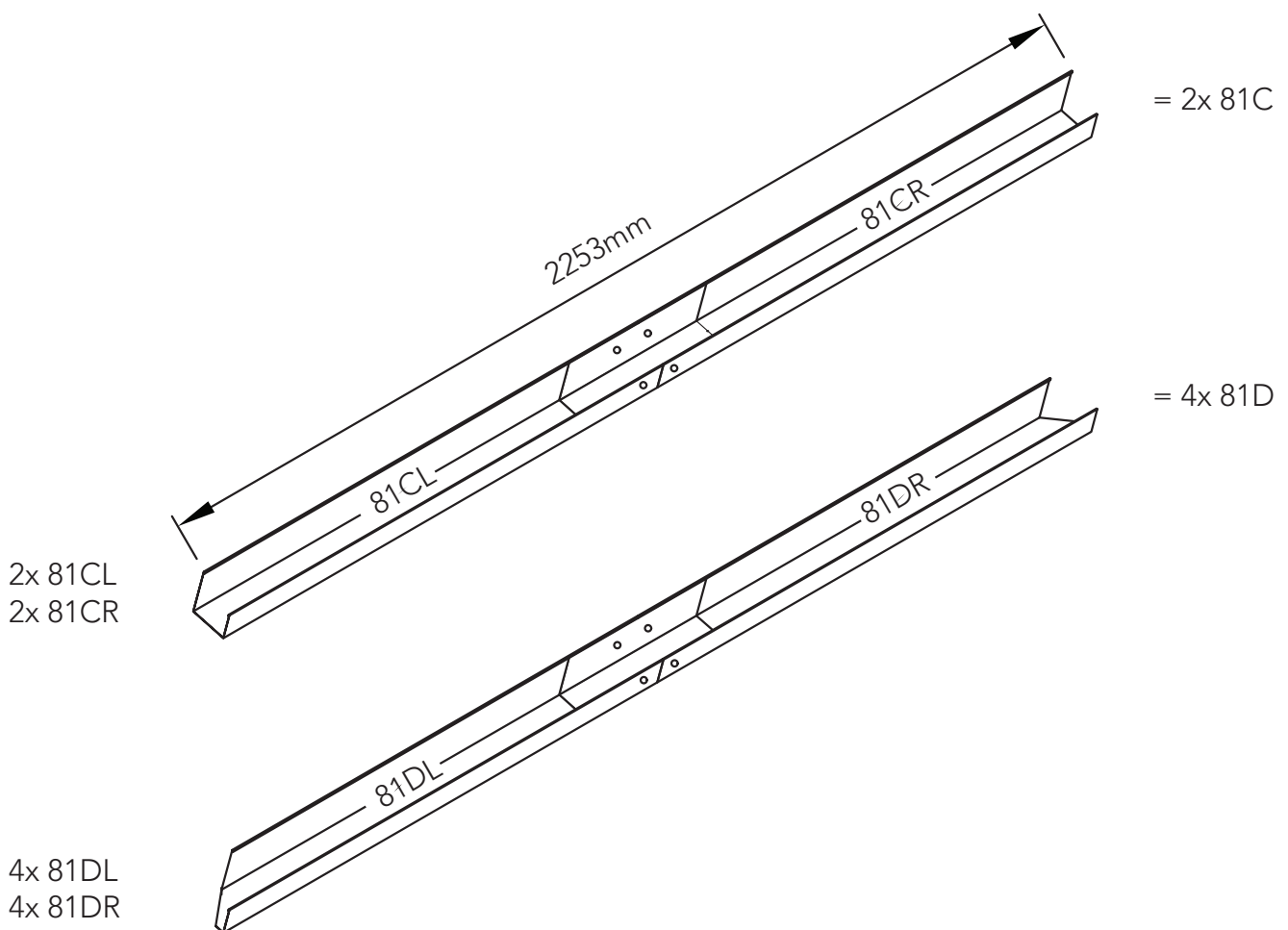
Drill out holes with 3mm drill bit in CSJ to match the holes in channel. Drilling of screws on the joined channels is being done after sheets are locked on the spliced channels.



PRE-ASSEMBLY OF SPLICED CHANNELS

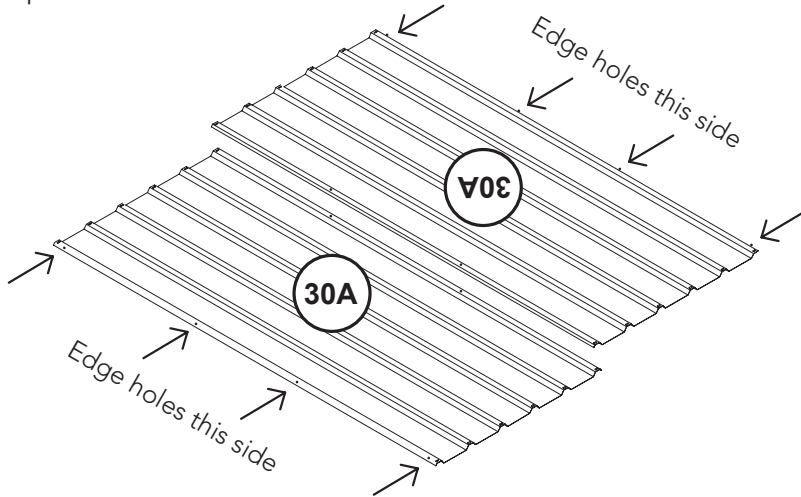
Join together 12 x channel sections using 6 x channel joiners (Part CSJ)

NOTE: Some channels may have holes in them - You will need to redrill holes where CSJ joining channel covers them.



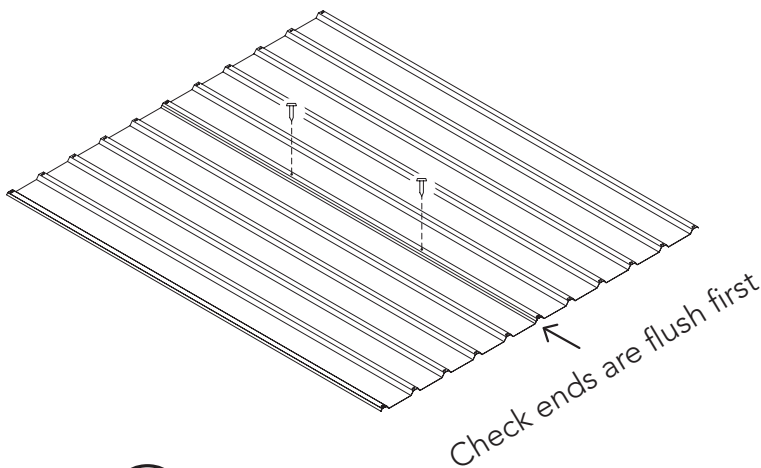
REAR PANEL ASSEMBLY

1x required.



1. Overlap two 30A sheets by one rib as shown.

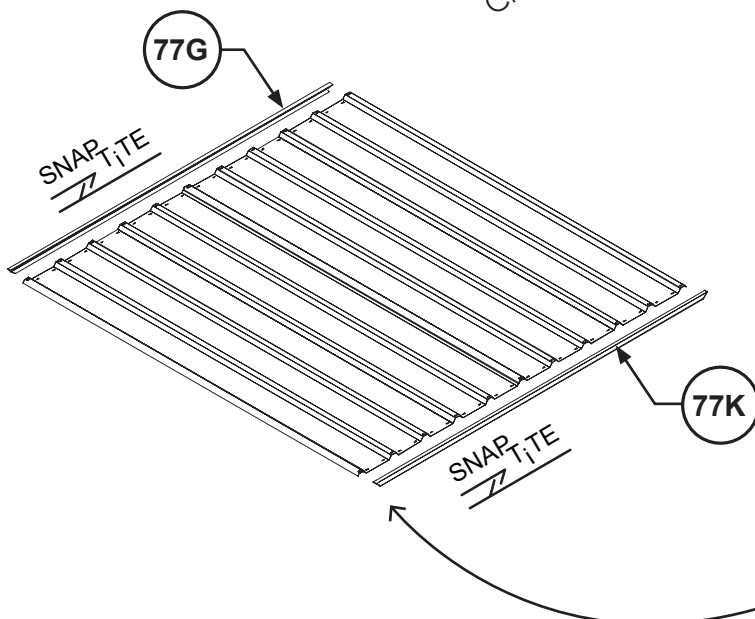
Turn one sheet so edge holes are to the outside as pictured.



2. Fasten with 10mm self tapping screws **FAST001** through prepunched sheet-to-sheet holes on overlap.

If you can't see bottom hole twist the sheet left or right.

Make a new hole with supplied drill bit if bottom hole is too far up or down the sheet or not found.



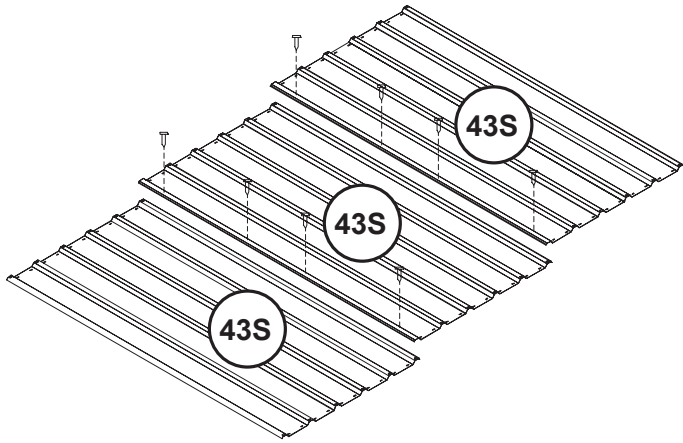
3. Attach the channels using the SNAP-TITE method.

Make sure you have the shorter, 15 mm side of the channel to the exterior of the sheeting

- We'll attach the gable panel in a later step -

ROOF PANEL ASSEMBLY

1x required.

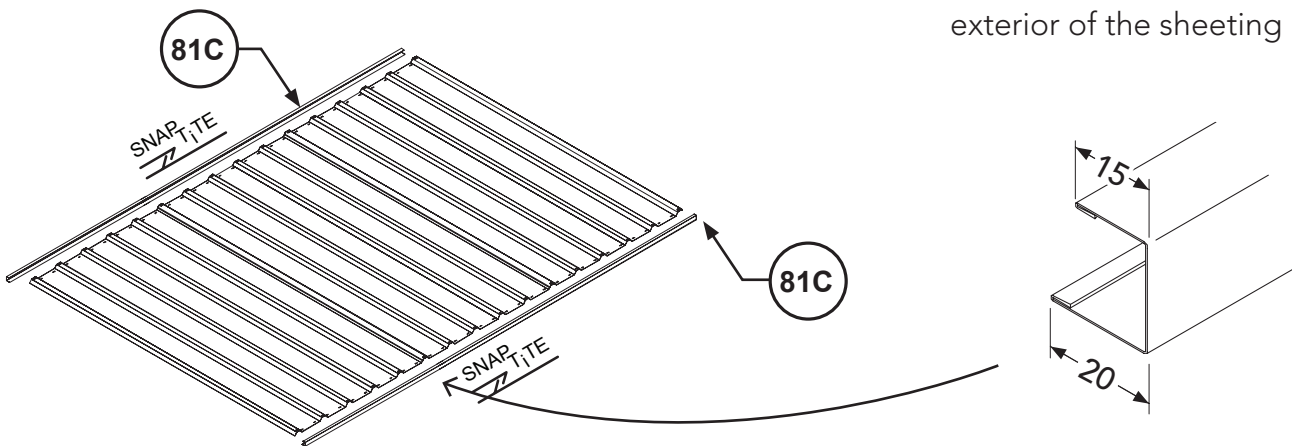


1. Layout and overlap sheets by one rib as shown.

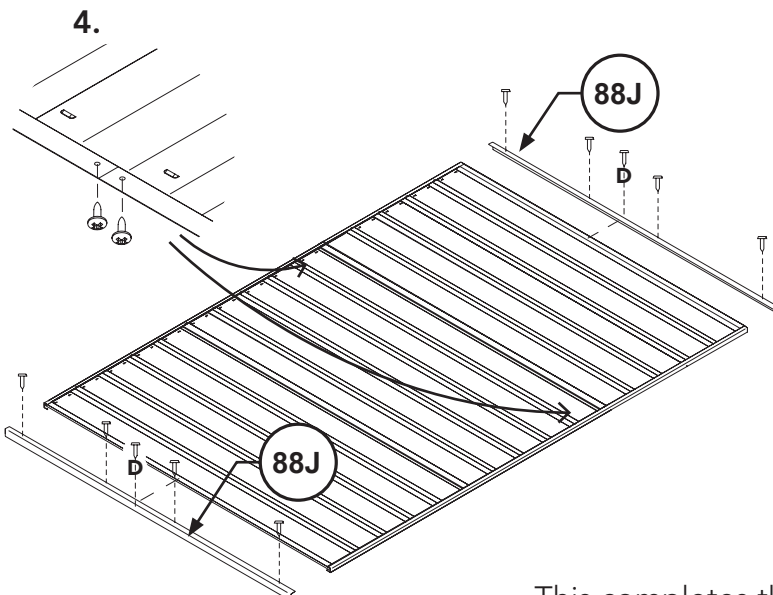
2. Use 4x 10mm self tapping screws FAST001 per overlap, through the pre punched holes.

3. Attach the front and rear channels using the SNAP-TiTE method.

Make sure you have the shorter, 15 mm side of the channel to the exterior of the sheeting



4. Now both channels are attached, fasten their L&R pieces to the CSJ with a 10mm self tapping screw FAST001 in each hole from the under side.



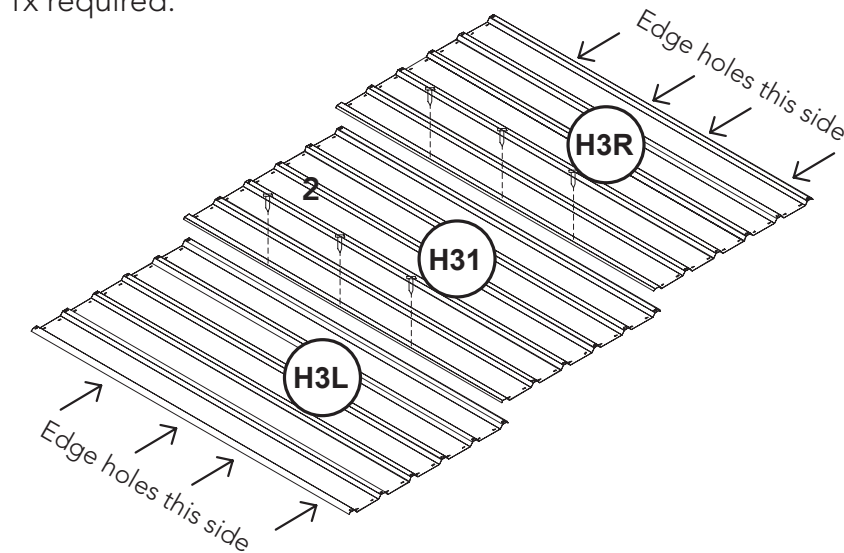
5. Take both **88J** lips and place on top of the sheet and inside both channels. Make sure the shorter face is to the top.

Fasten with five self tapping screws **FAST001** per side.

- This completes the roof panel -

2.0m H SIDE PANEL

1x required.

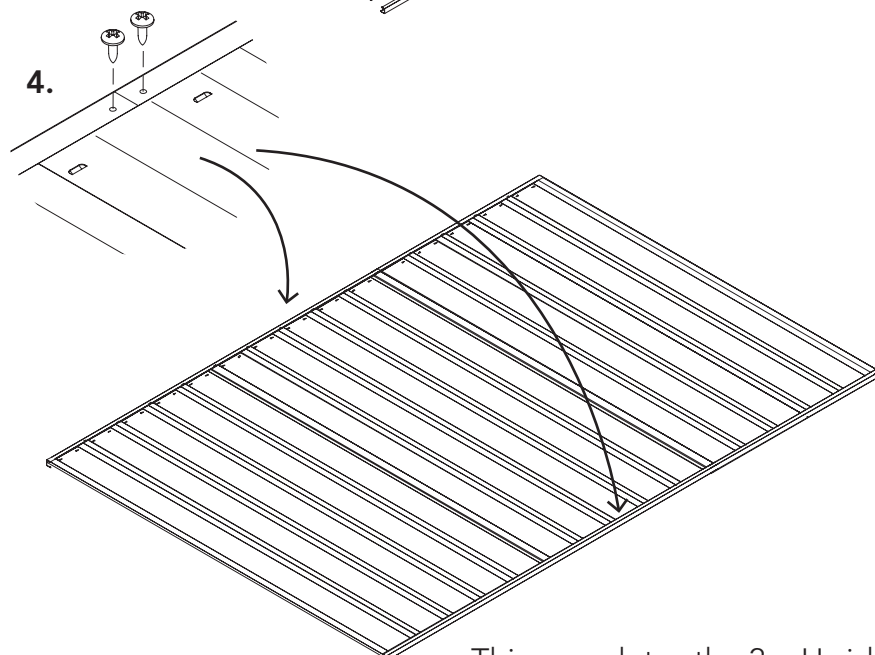
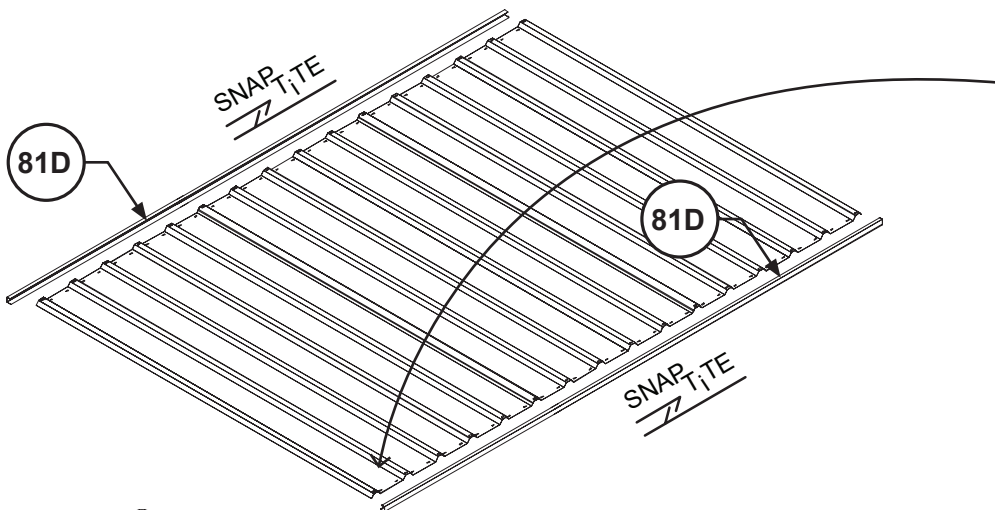


1. Layout and overlap sheets by one rib as shown. Orientate outside sheets as pictured.

2. Use 3x 10mm self tapping screws FAST001 per overlap, through the pre punched holes.

3. Attach the top and bottom channels using the SNAP-TiTE method.

Make sure you have the shorter, 15 mm side of the channel to the exterior of the sheeting

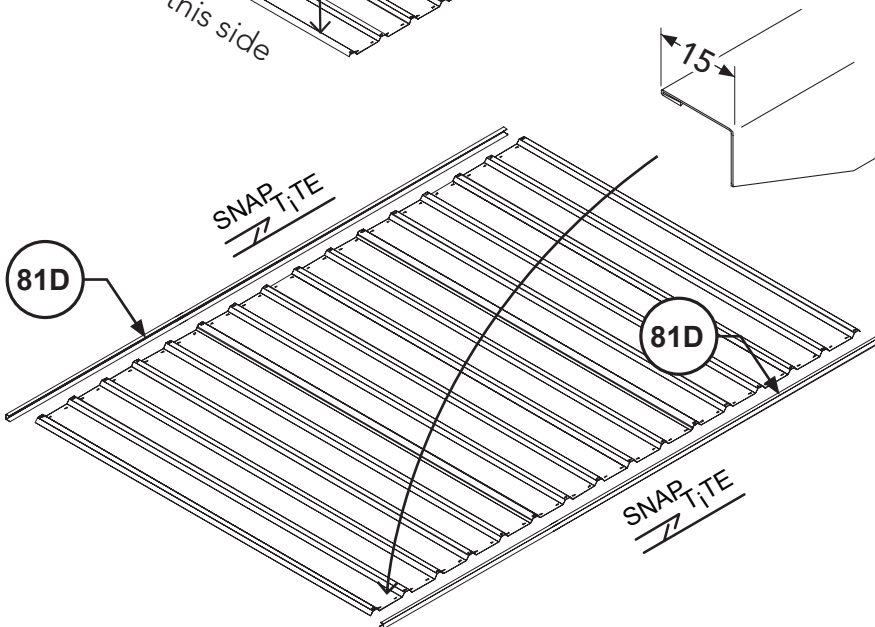
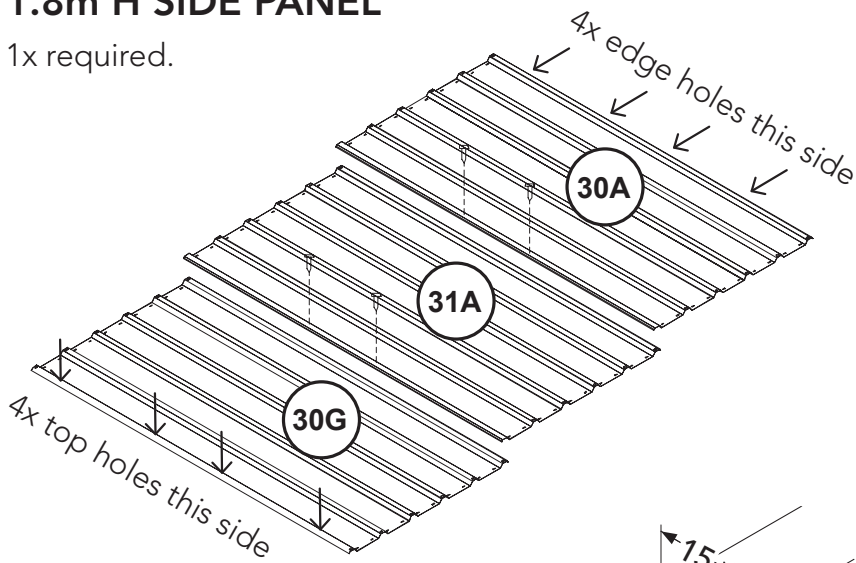


4. Now both channels are attached, fasten their L&R pieces to the CSJ with a 10mm self tapping screw FAST001 in each top hole.

- This completes the 2m H side panel -

1.8m H SIDE PANEL

1x required.



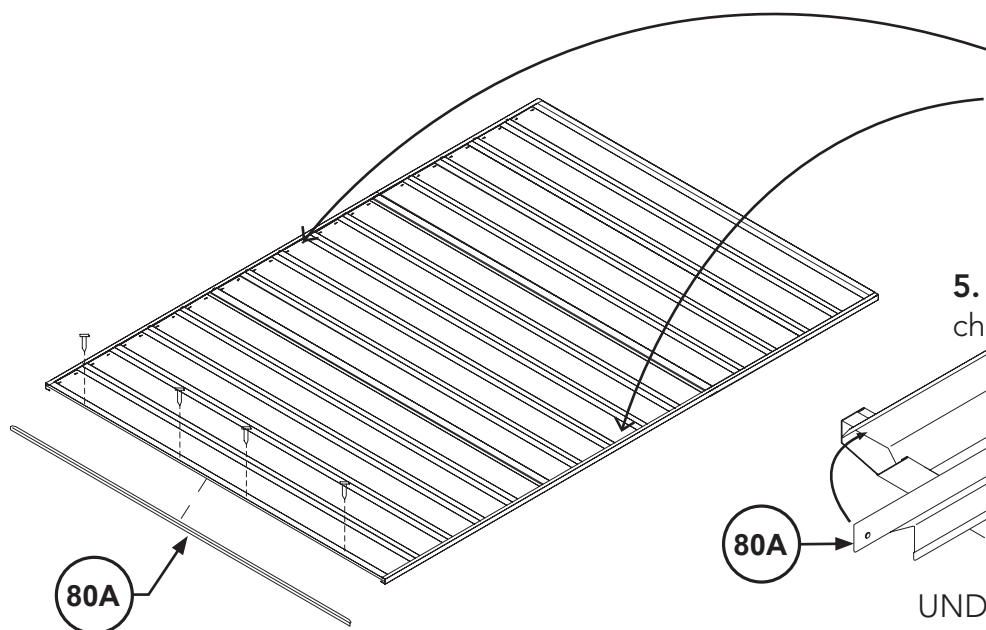
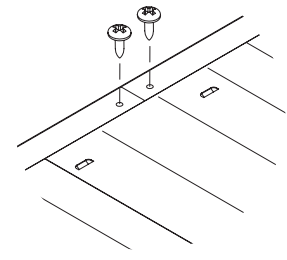
1. Layout and overlap sheets by one rib as shown. Orientate outer sheets with holes to the outside as pictured.

2. Use 2x 10mm self tapping screws FAST001 per overlap, through the pre punched holes.

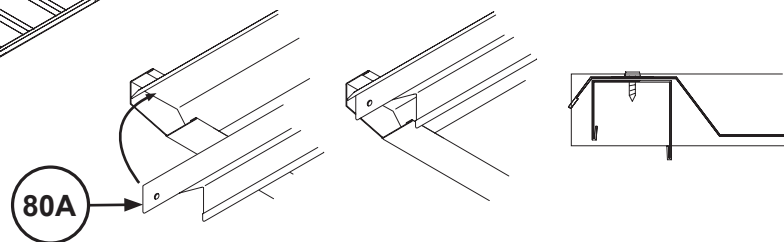
3. Attach the top and bottom channels using the SNAP-TiTE method.

Make sure you have the shorter, 15 mm side of the channel to the exterior of the sheeting

4. Now both channels are attached, fasten their L&R pieces to the CSJ with a 10mm self tapping screw FAST001 in each top hole.



5. Insert the 80A into end channels and sheet rib and fix.



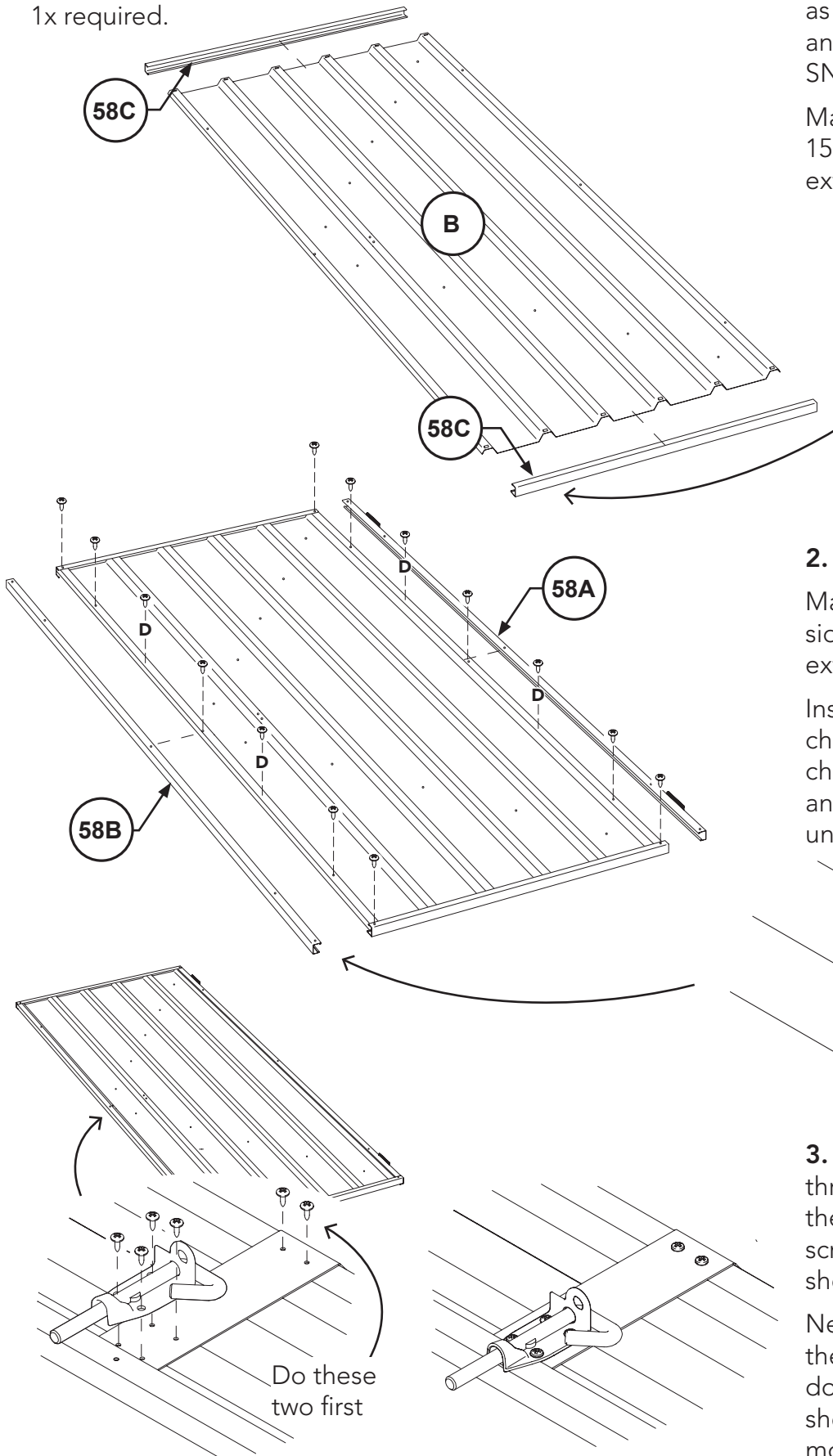
UNDERSIDE VIEW

END VIEW

- This completes the 1.8m H side panel -

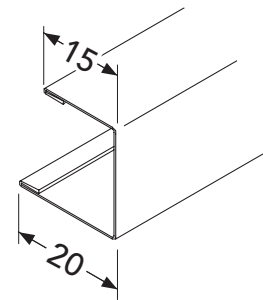
DOOR PANEL ASSEMBLY

1x required.



1. Position the **DoorB** sheet as shown and attach the top and bottom channels using the SNAP-TiTE method.

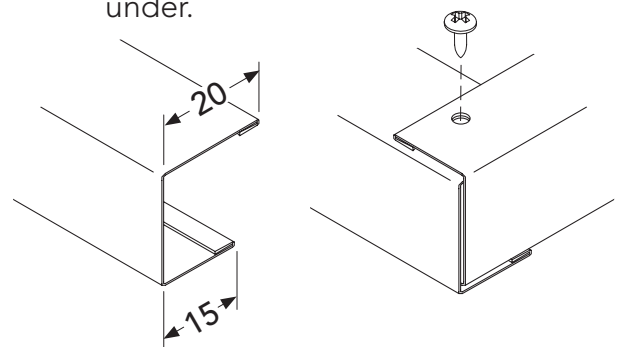
Make sure you have the shorter, 15 mm side of the channel to the exterior side of the sheeting



2. Insert the two vertical channels

Make sure the *longer*, 20 mm side of the channel to the exterior. side of the sheet.

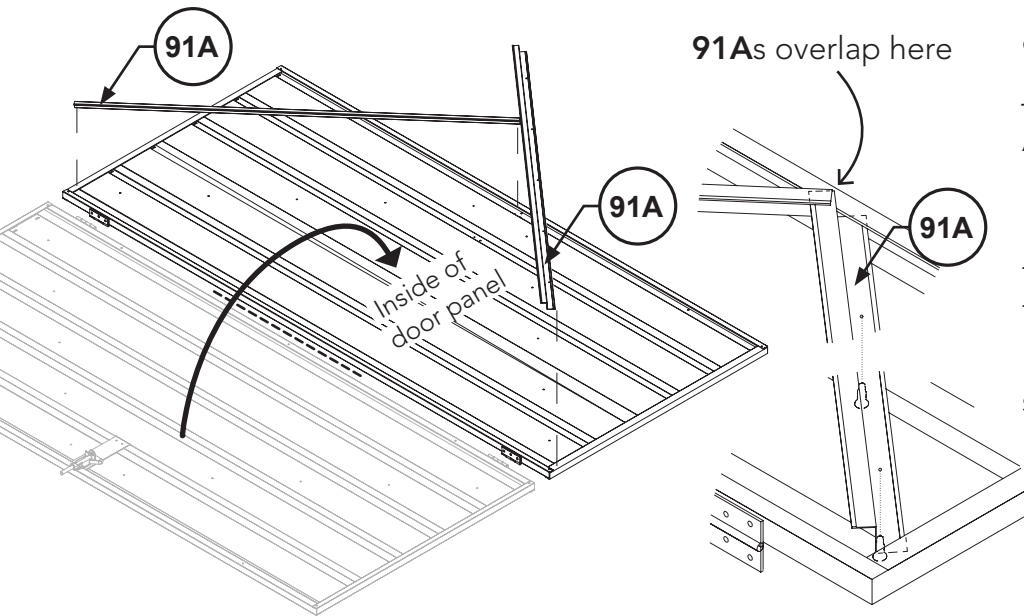
Insert the 20 mm side of the channel in the top and bottom channels, on top of the sheet and let the bottom side go under.



3. Attach the **12A** door plate through the pair of holes in the sheet with two self tapping screws **FAST001** at the location shown.

Next align the padbolt with the four remaining holes in the door plate and fasten into the sheeting underneath with four more screws.

DOOR PANEL ASSEMBLY
CONTINUED



8. Turn the door over as shown.

9. Now we'll fit the two **91A** jamb door braces.

Align the holes in the brace with holes in the door.

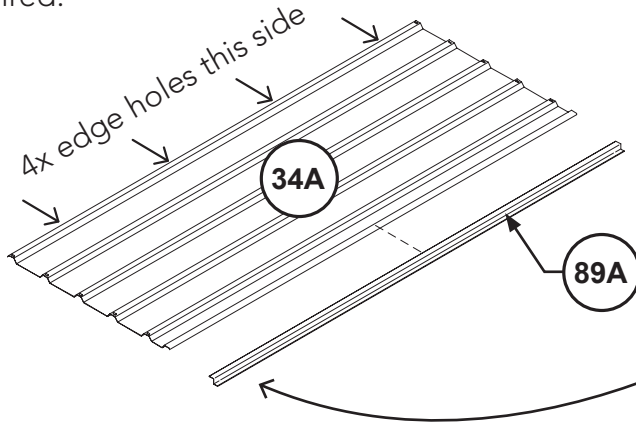
Make sure to tuck both ends of the brace into the channels that frame the door.

Fasten from beneath with five self tapping screws FAST001.

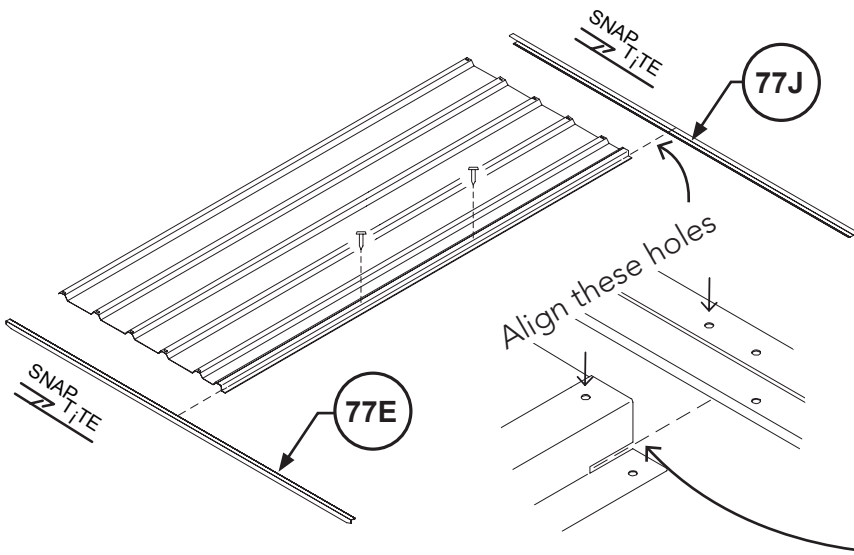
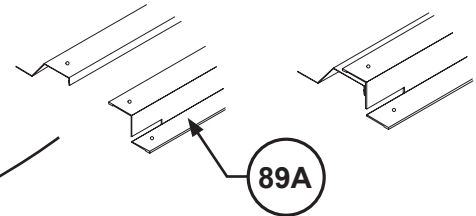
- This completes the door panel -

FRONT PANEL

1x required.



1. Orientate the 34A sheet as shown and place the 89A jamb on top.



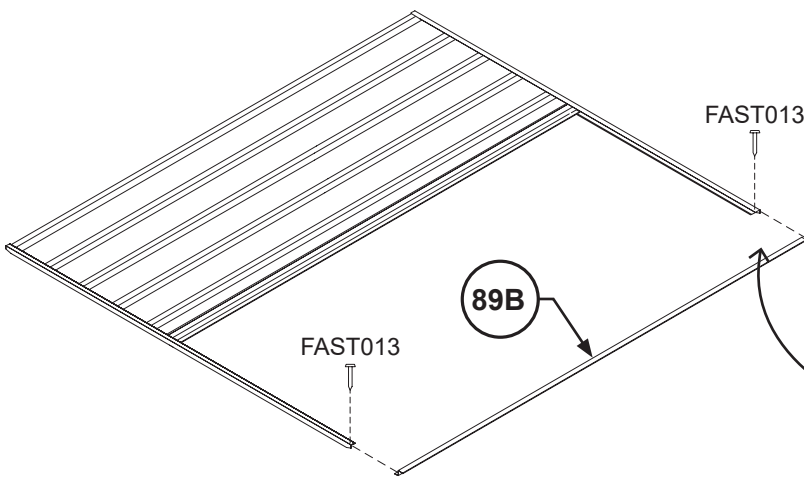
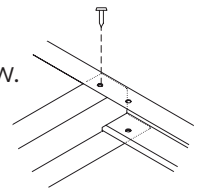
2. Use 2x 10mm self tapping screws **FAST001** per overlap, through the pre punched holes in the parts. Only do the two shown for now.

3. Attach the channels using the SNAP-TiTE method.

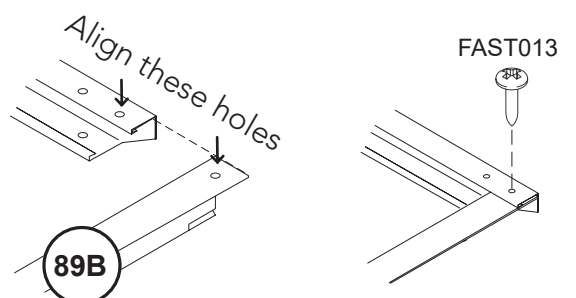
Make sure you have the shorter, 15 mm side of the channel to the exterior of the sheeting.

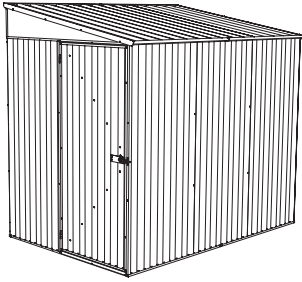
The channel goes over the sheet and jamb with the 20mm side going into the jamb cutout as shown.

Fasten with a screw.



4. Insert the **89B** jamb into the top and bottom channels. Fasten with a *longer* 20mm self tapping screw **FAST013** at each corner.





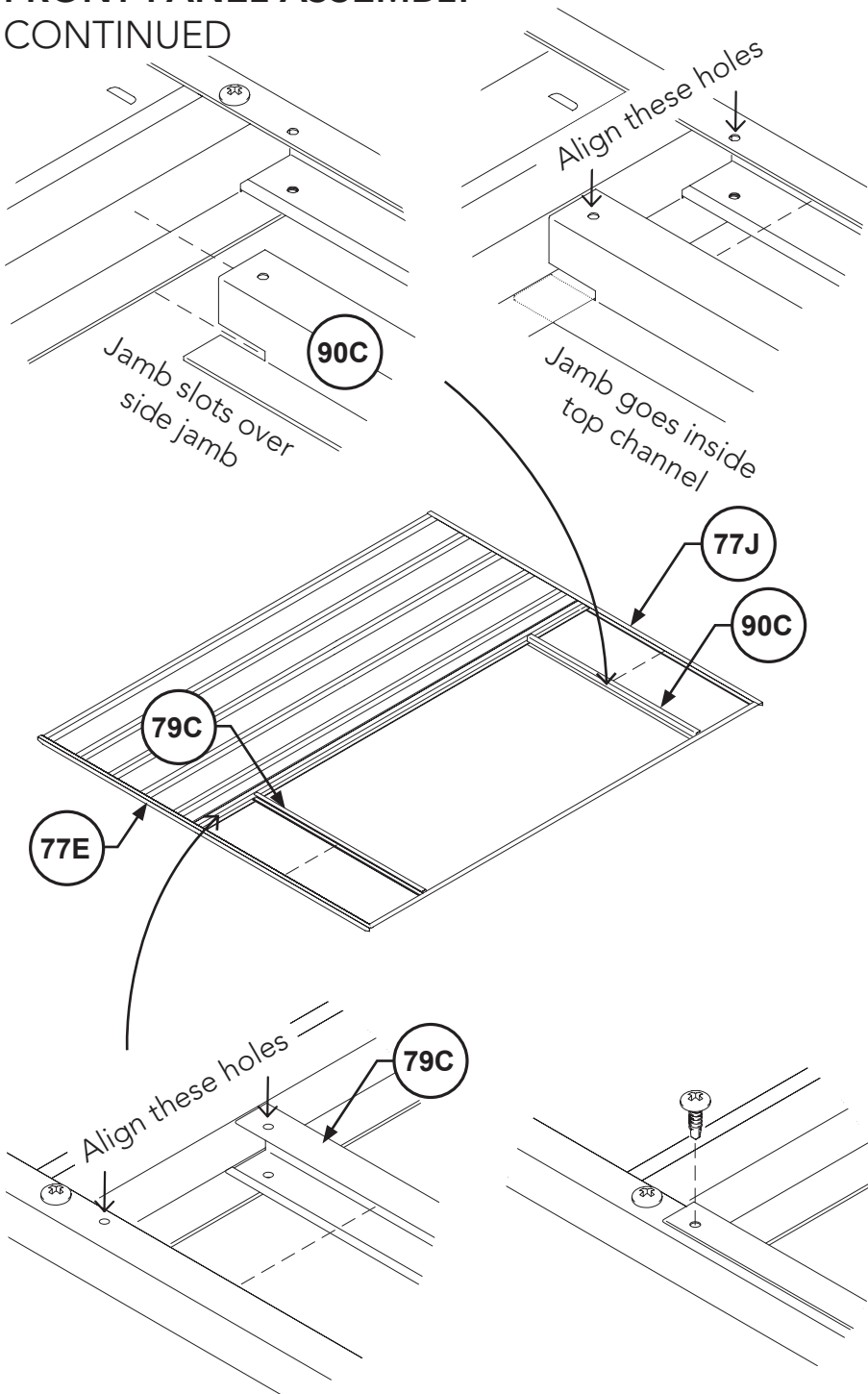
ATTENTION!

The following pages show how to build the 'Config A' version of the shed as pictured.

If you would like to build 'Config B' go to page 20.

Config is listed on each page here

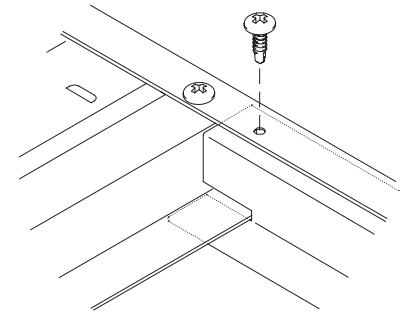
FRONT PANEL ASSEMBLY CONTINUED



5. Next is the top-of-doorway jamb.

Orientate the top jamb **90C** so the side jamb goes into the slot and slide it up into the top channel.

Align the end hole of the jamb with the corresponding hole in the channel & fasten with a self tapping screw FAST001.



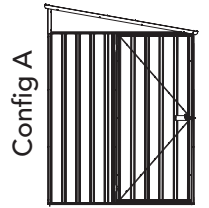
Other holes between these parts will align, fasten with more self tapping screws FAST001.

6. Now to the bottom of the doorway.

Orientate the 20 mm side of the **79C** channel so it goes into the bottom channel.

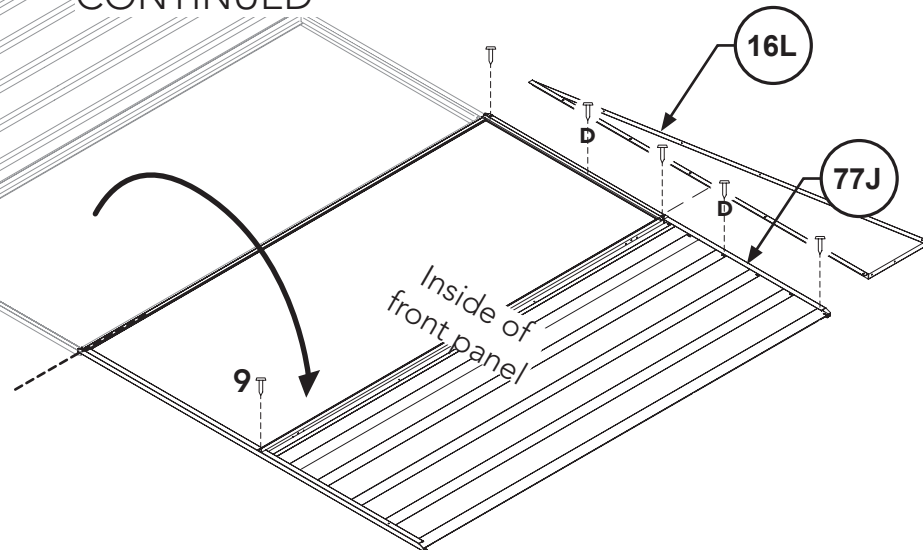
Align the end hole of the channel with the corresponding hole in & fasten with a self tapping screw FAST001.

Other holes between these parts will align, fasten with more screws.



ATTACH GABLE PANELS

FRONT PANEL ASSEMBLY CONTINUED



- This completes the front panel -

7. Turn the front panel over.

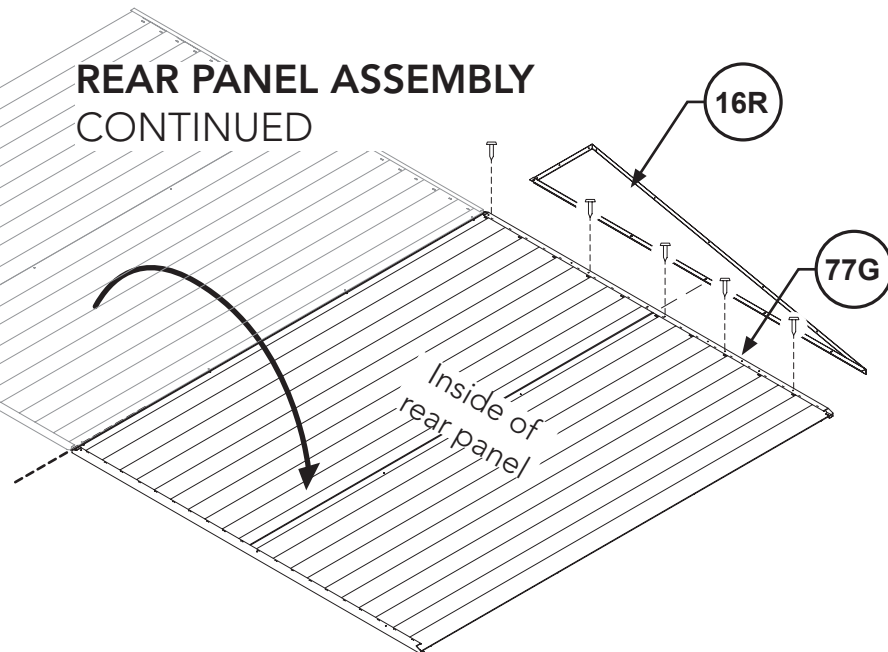
8. Take the **16L** gable panel and align the hole pattern with the interior side of the **77J** channel.

Fasten with three self tapping screws **FAST001** that align with existing holes in the channel

The two 'D' screws don't have channel holes, but fix through as well.

9. Fasten the vertical jambs to the top and bottom channels with a **FAST001** screw in each corner of the doorway.

REAR PANEL ASSEMBLY CONTINUED

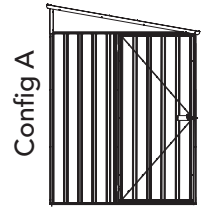


- This completes the rear panel -

4. Turn the rear panel over.

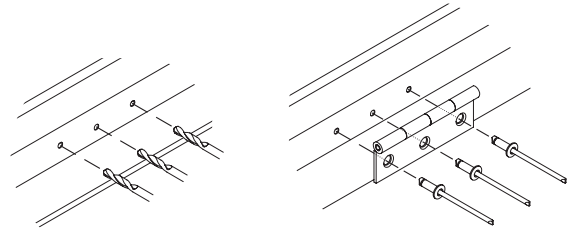
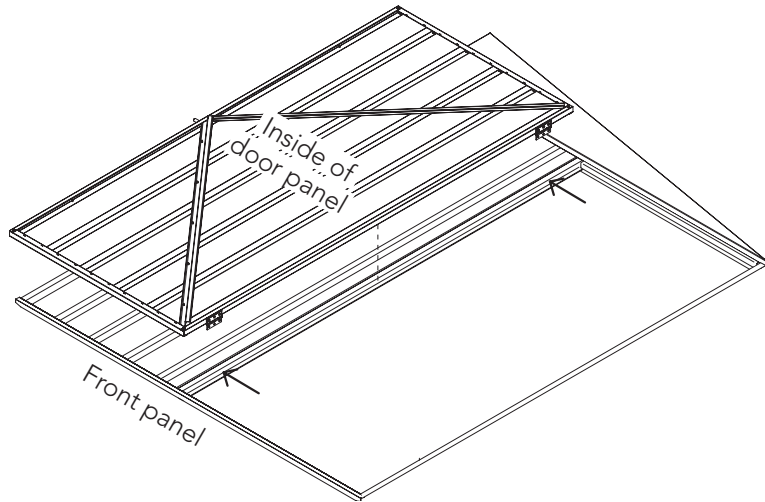
5. Take the **16R** gable panel and align the hole pattern with the interior side of the **77G** channel.

Fasten with five self tapping screws **FAST001** that align with existing holes in the channel.



ATTACH DOOR TO FRONT PANEL

1. Use the supplied 3 mm drill bit DRILL and go through these existing jamb holes and into the sheet behind.



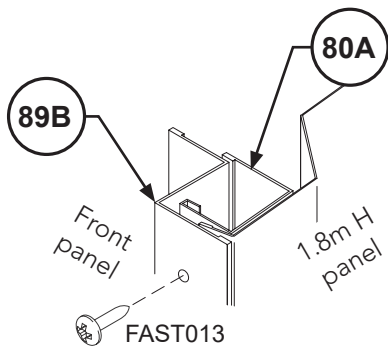
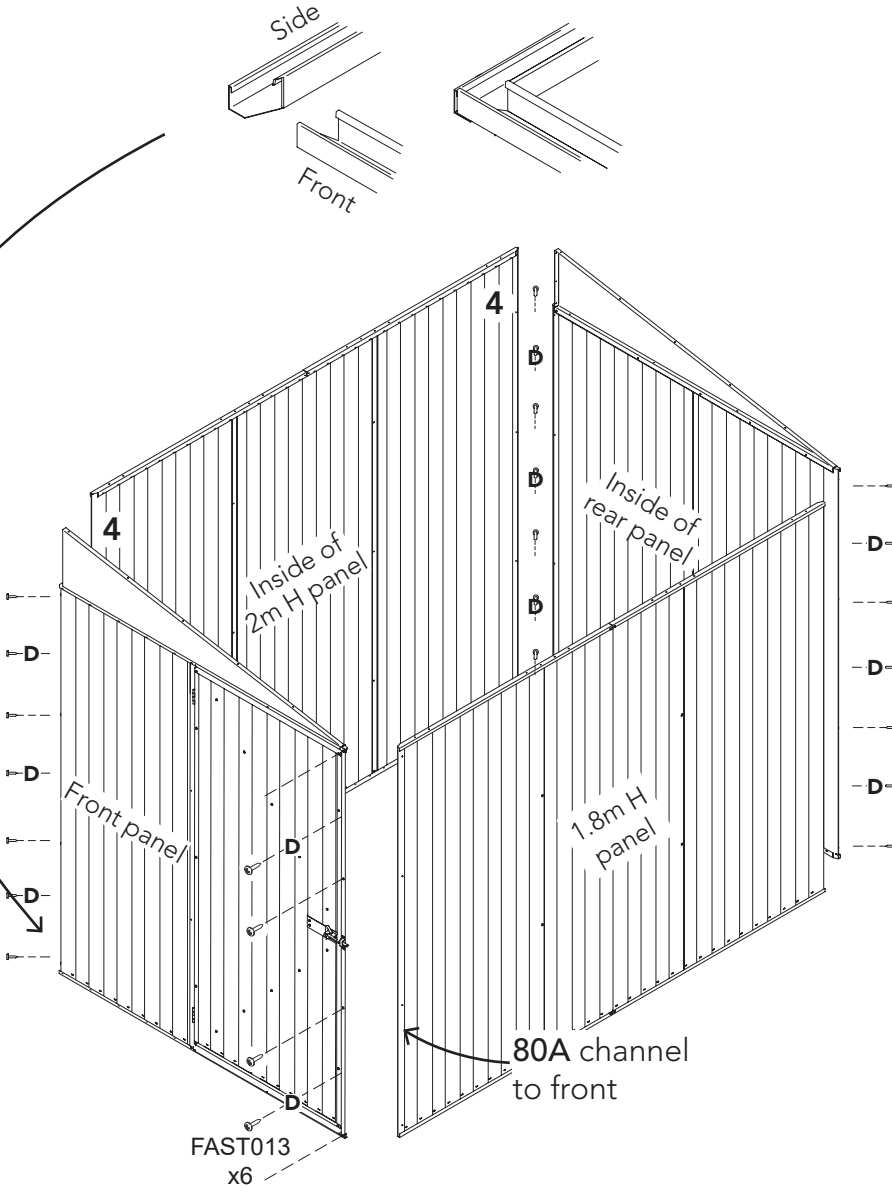
2. Lay the door in the open position so the hinges dangle over their matching holes.

Align and use a pop riveter and three FAST009 rivets per hinge - six rivets total.

- This completes the door panel installation -



PANEL CONSTRUCTION



SECTION VIEW

Side wall sheet is tucked in behind **89B** jamb.

1. Start with the front panel, open the door to help stand it up.

2. Attach the 1.8m H side panel next.

Sit the side wall channel inside the end wall channels as shown below.

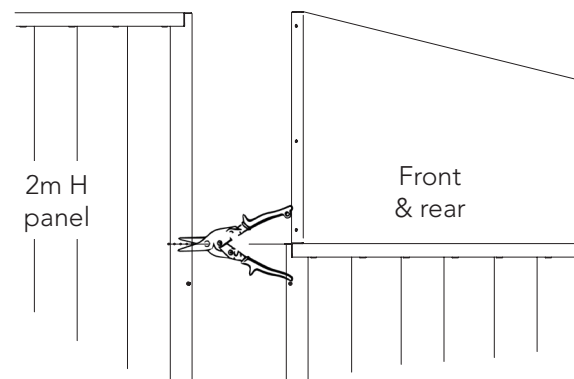
Align the holes in the **80A** channel with those in the front panel **89B** jamb

Fasten with six *longer* 20mm self tapping screw **FAST013**.

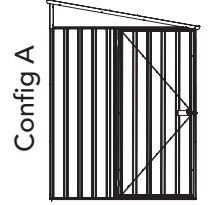
3. Bring in the rear wall next, align the four edge holes in both sheets and fasten with 10mm self tapping screws **FAST001**.

4. Bring in the 2m H side panel next. Make sure the panel is the right way up so the edge holes align with the end panels.

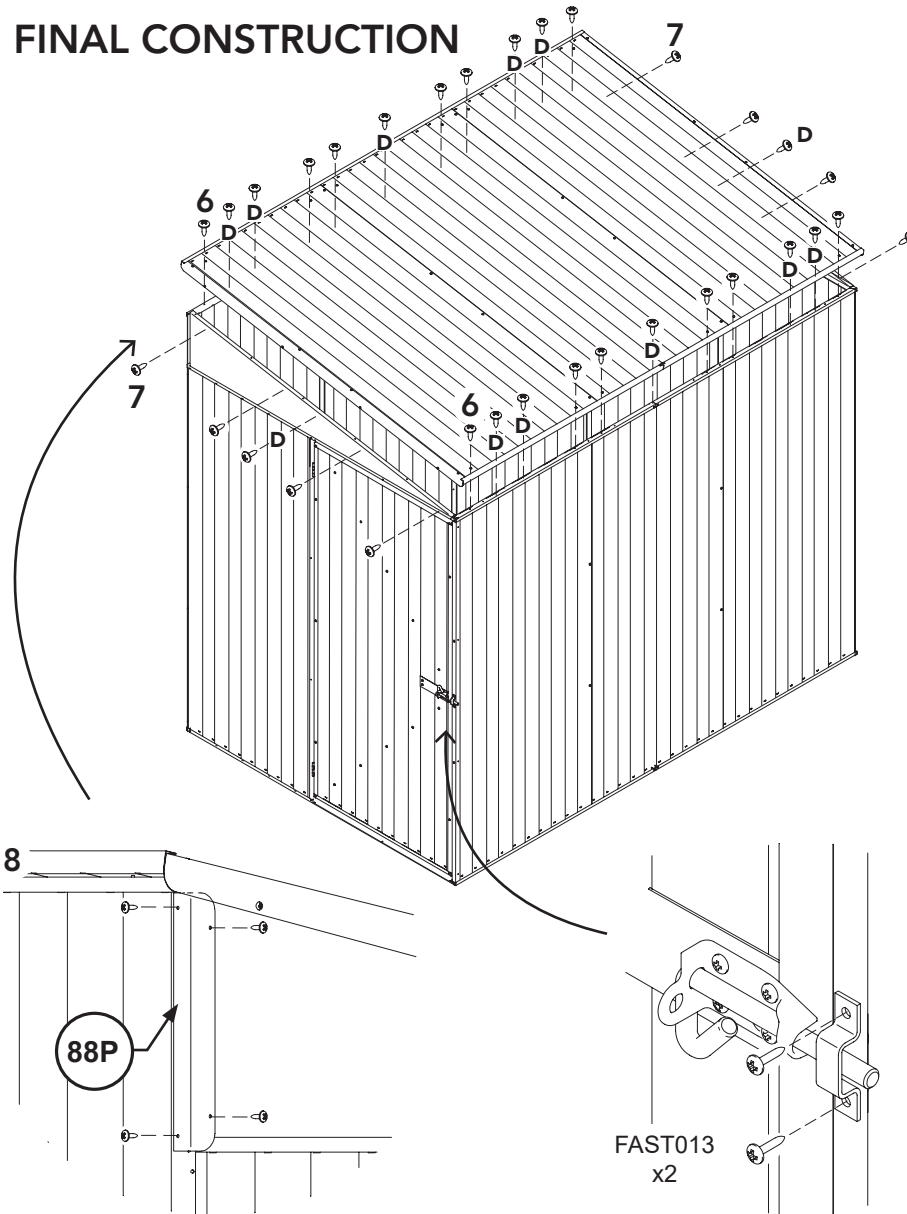
Take tinsnips and make a 10mm relief cut where the end wall top channel align with the sheeting. This will allow the panels to sit neatly. This will be covered.



Fasten with four 10mm self tapping screws **FAST001** per corner.



FINAL CONSTRUCTION



5. Square up the shed walls. Make sure they're straight and check opposite corner-to-corner dimensions are equal.

6. Safely place roof panel on top and align roof sheet holes with channels of the side walls and fix with a 10mm self tapping screws **FAST001** at each hole. Check roof lips sit nicely at front and rear walls first.

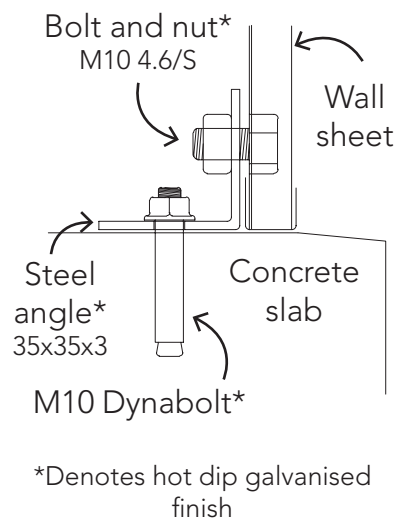
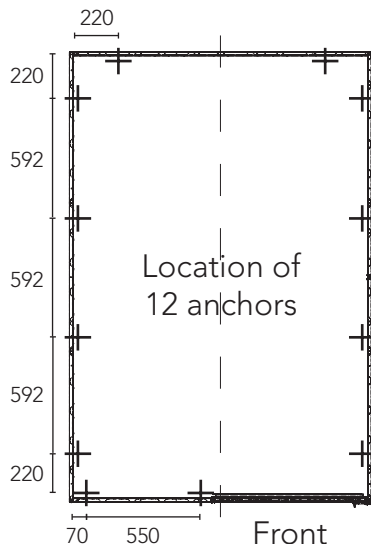
7. Using the four existing holes in the lips as a template, drill holes into the gable panels and then fix with 10mm self tapping screws **FAST001**

8. Cover the top corner gap with the **88P** lips as shown, tuck under roof lip. Fasten each with four 10mm self tapping screws **FAST001**, predrill gable first.

9. Take the hasp, place it on the edge of the 89B jamb of the front panel and centre it over the padbolt shaft.

Use two longer self tapping screws **FAST013** to secure it.

ANCHORING



*Denotes hot dip galvanised finish

Each anchor consists on one nut, bolt, dynabolt and steel angle.

1. Drill a 10mm hole into the wall sheet.

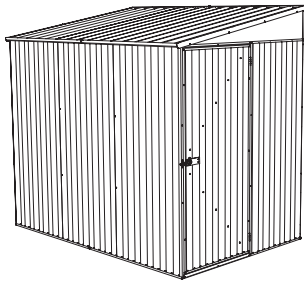
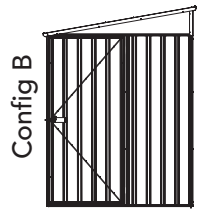
2. Drill a 10mm hole into the concrete slab.

3. Position the steel angle.

4. Place the dynabolt into the concrete hole & tighten.

5. Secure the steel angle to the wall sheet using the nut & bolt.

6. Repeat for each anchor location

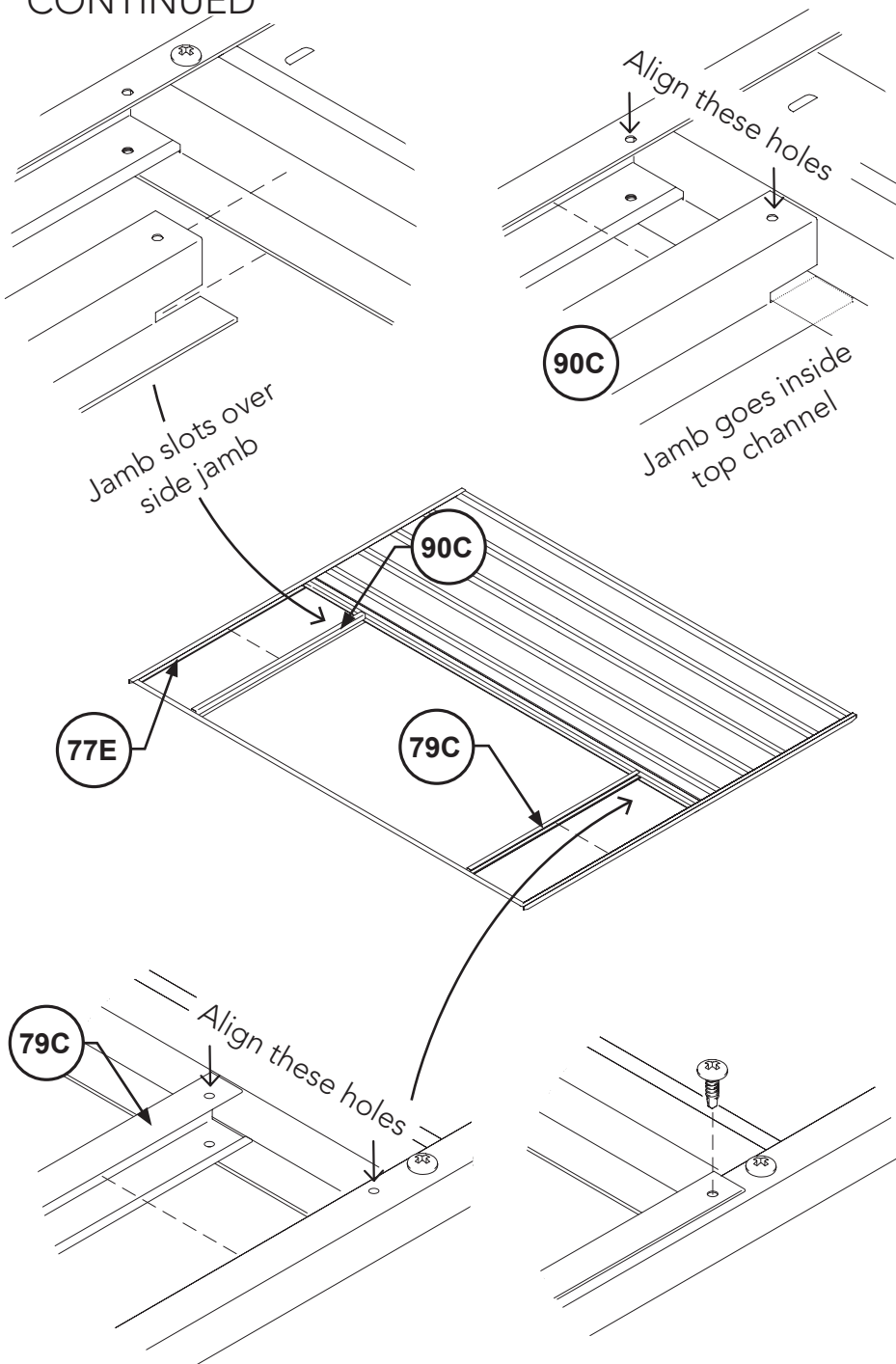


The following pages show how to build the 'Config B' version of the shed as pictured.

If you would like to build 'Config A' go back to page 15.

Config is listed on each page here

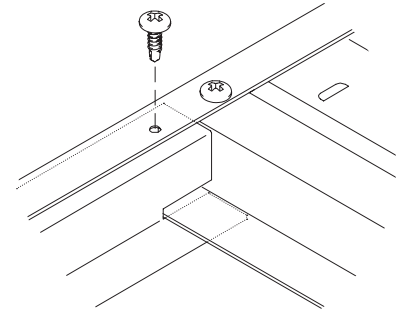
FRONT PANEL ASSEMBLY CONTINUED



NOTE: Orientate panel so door opening is on the left as pictured.

5. Orientate the top of doorway jamb **90C** so the side jamb goes into the slot and slide it up into the top channel.

Align the end hole of the jamb with the corresponding hole in the channel & fasten with a self tapping screw FAST001.



Other holes between these parts will align, fasten with more self tapping screws FAST001.

6. Now to the bottom of the doorway.

Orientate the 20 mm side of the **70C** channel so it goes into the bottom channel.

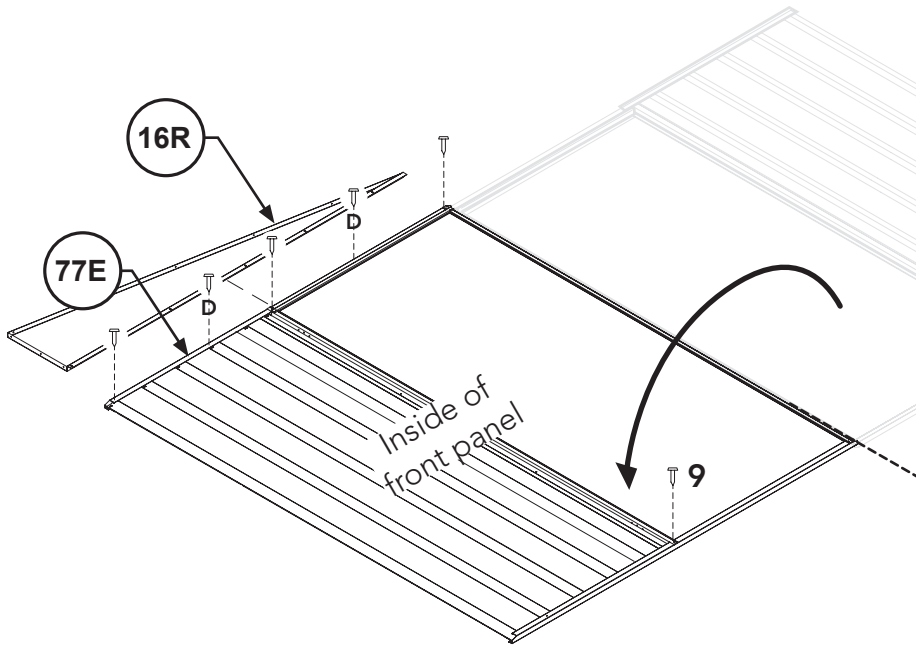
Align the end hole of the channel with the corresponding hole in & fasten with a self tapping screw FAST001.

Other holes between these parts will align, fasten with more screws.



ATTACH GABLE PANELS

FRONT PANEL ASSEMBLY CONTINUED



- This completes the front panel -

7. Turn the front panel over.

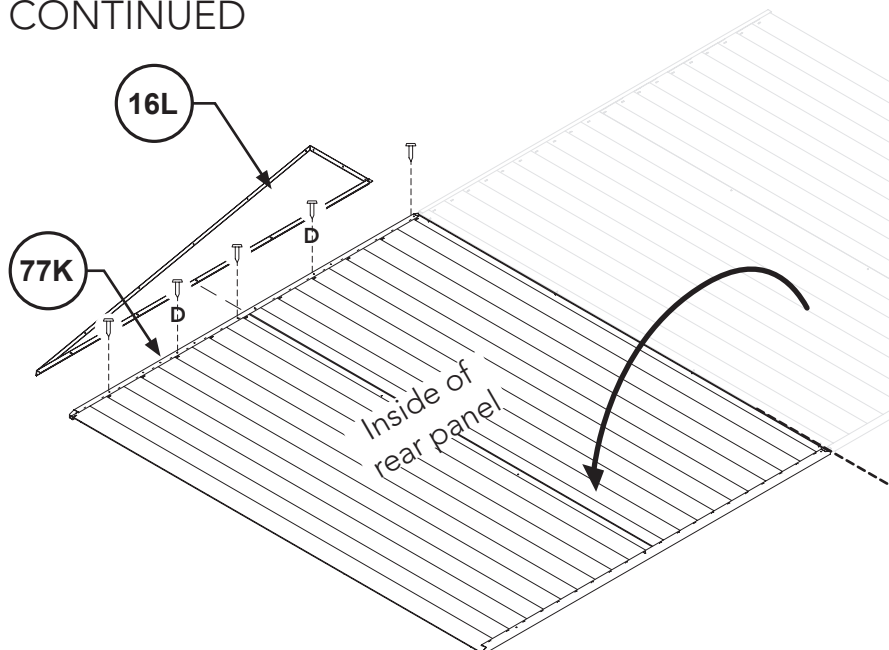
8. Take the **16R** gable panel and align the hole pattern with the interior side of the **77E** channel.

Fasten with three self tapping screws **FAST001** that align with existing holes in the channel

The two 'D' screws don't have channel holes, but fix through as well.

9. Fasten the vertical jambs to the top and bottom channels with a **FAST001** screw in each corner of the doorway.

REAR PANEL ASSEMBLY CONTINUED



- This completes the rear panel -

4. Turn the rear panel over.

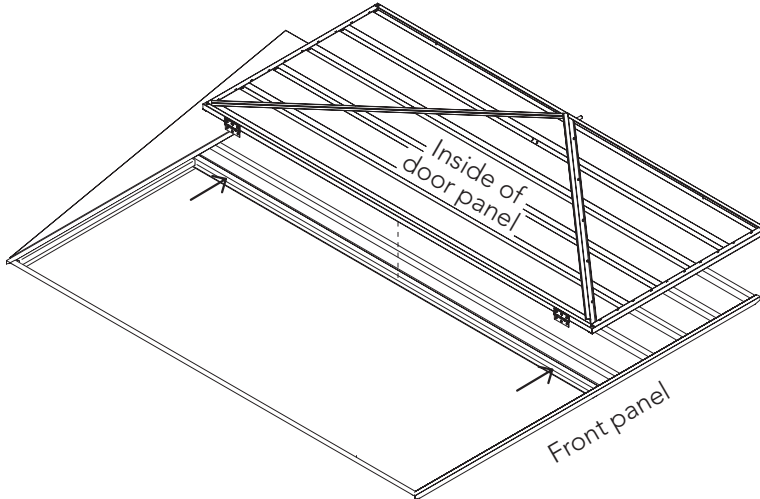
5. Take the **16L** gable panel and align the hole pattern with the interior side of the **77K** channel.

Fasten with three self tapping screws **FAST001** that align with existing holes in the channel

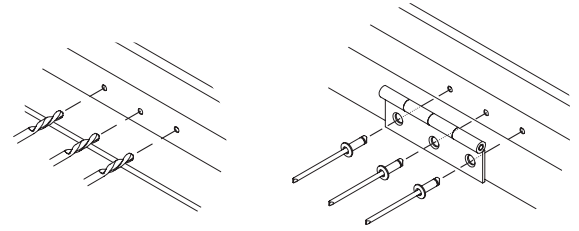
The two 'D' screws don't have channel holes, but fix through as well.



ATTACH DOOR TO FRONT PANEL



1. Use the supplied 3 mm drill bit DRILL and go through these existing jamb holes and into the sheet behind.



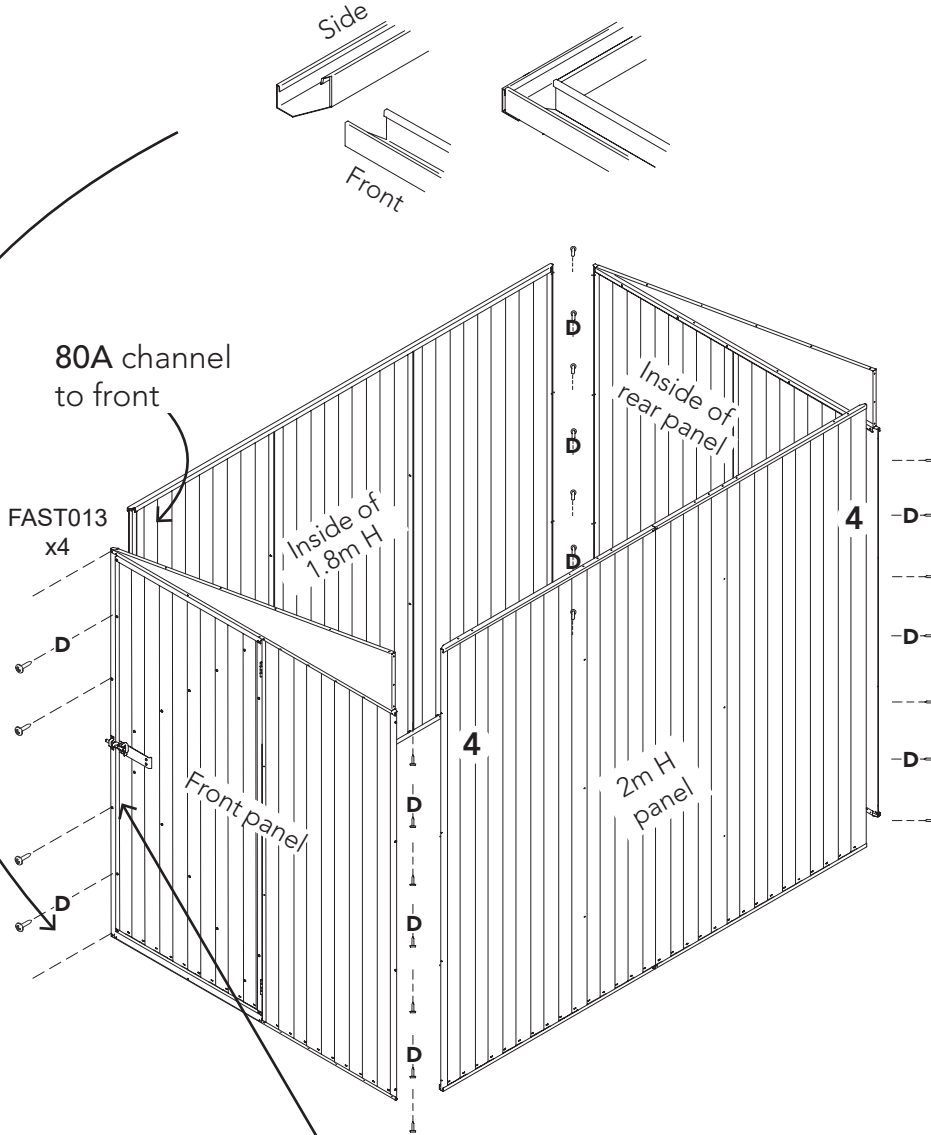
2. Lay the door in the open position so the hinges dangle over their matching holes.

Align and use a pop riveter and three FAST009 rivets per hinge - six rivets total.

- This completes the door panel installation -



PANEL CONSTRUCTION



1. Start with the front panel, open the door to help stand it up.

2. Attach the 1.8m H side panel next. Sit the side wall channel inside the end wall channels as shown below.

Align the holes in the 80A channel with those in the front panel 89B jamb

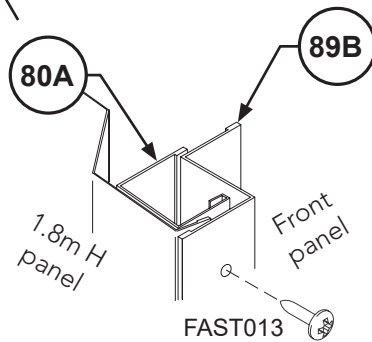
Fasten with six longer 20mm self tapping screw FAST013.

3. Bring in the rear wall next, align the four edge holes in both sheets and fasten with 10mm self tapping screws FAST001.

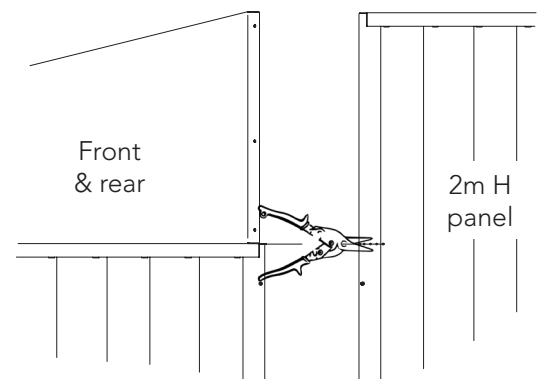
4. Bring in the 2m H side panel next. Make sure the panel is the right way up so the edge holes align with the end panels.

Take tinsnips and make a 10mm relief cut where the end wall top channel align with the sheeting. This will allow the panels to sit neatly. This will be covered.

Side wall sheet is tucked in behind 89B jamb.



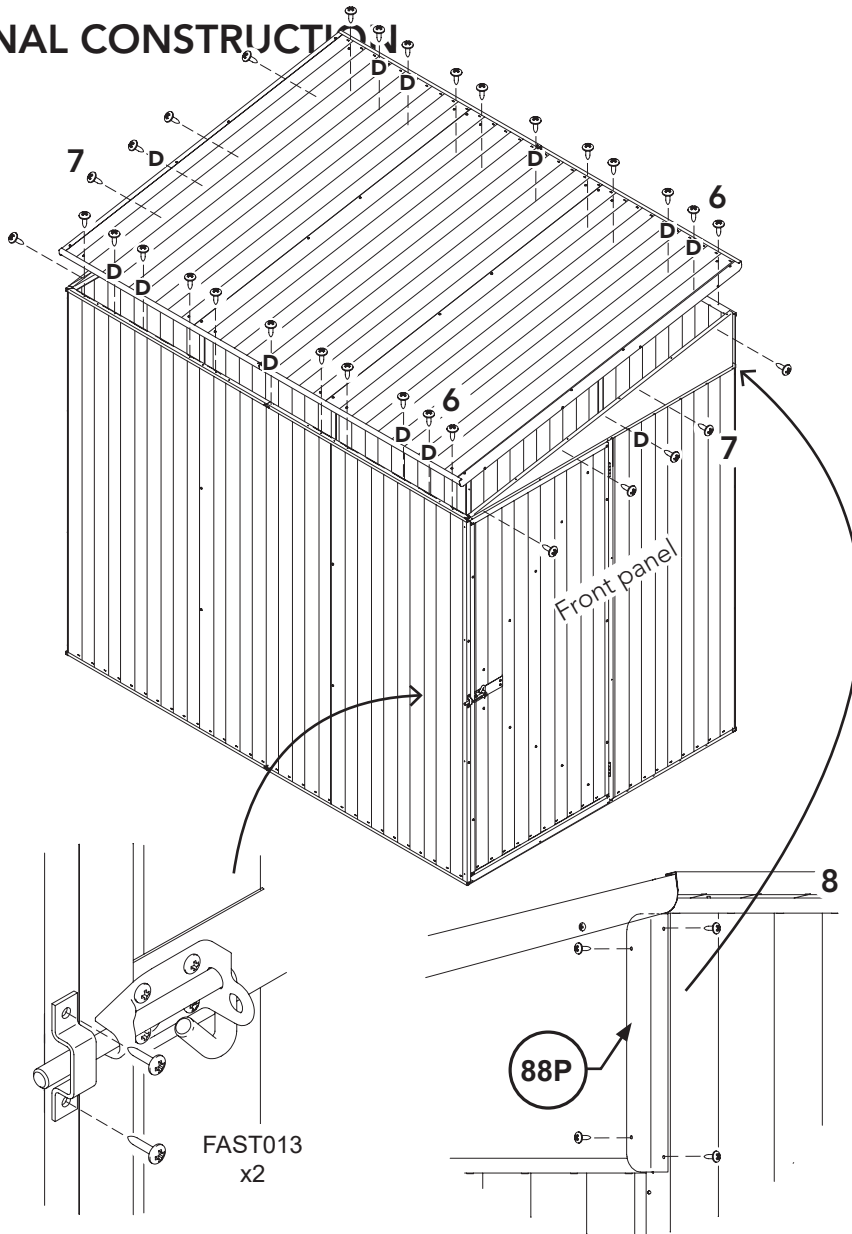
SECTION VIEW



Fasten with four 10mm self tapping screws FAST001 per corner.



FINAL CONSTRUCTION



5. Square up the shed walls. Make sure they're straight and check opposite corner-to-corner dimensions are equal.

6. Safely place roof panel on top and align roof sheet holes with channels of the side walls and fix with a 10mm self tapping screws **FAST001** at each hole. Check roof lips sit nicely at front and rear walls first.

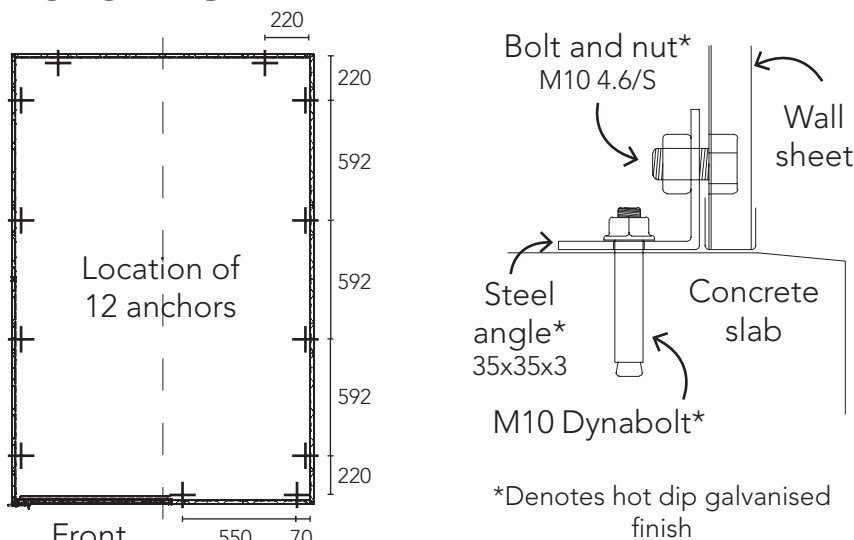
7. Using the four existing holes in the lips as a template, drill holes into the gable panels and then fix with 10mm self tapping screws **FAST001**

8. Cover the top corner gap with the **88P** lips as shown, tuck under roof lip. Fasten each with four 10mm self tapping screws **FAST001**, predrill gable first.

9. Take the hasp, place it on the edge of the 89B jamb of the front panel and centre it over the padbolt shaft.

Use two longer self tapping screws **FAST013** to secure it.

ANCHORING



Each anchor consists on one nut, bolt, dynabolt and steel angle.

1. Drill a 10mm hole into the wall sheet.

2. Drill a 10mm hole into the concrete slab.

3. Position the steel angle.

4. Place the dynabolt into the concrete hole & tighten.

5. Secure the steel angle to the wall sheet using the nut & bolt.

6. Repeat for each anchor location

Absco Sheds Storage Guidelines

- Absco Sheds are designed to be weatherproof for normal weather conditions. In the event of extreme weather conditions such as heavy rain, combined with high wind gusts, the ridge capping, sheeting joints, screw fixings etc., may exhibit minor deformations which may allow some water entry. These areas should be checked regularly to ensure that maximum strength and protection is maintained.
- Other weather conditions such as extreme heat and extreme cold, moist or dry air can influence the effects of concrete floor moisture and/or condensation on the underside of the roof sheets.
- Absco Sheds and storage units are primarily used for storage of garden equipment such as lawnmowers, wheelbarrows, garden tools etc. Storage items that might be adversely affected by any of the above conditions may require additional protection such as being sealed or covered by plastic sheets and/or stacked above the concrete floor on timber slats.
- Waterproof sealants may be used to offer further protection where required around joins and screw fixings, as can rubber door seals and other products which are available from most hardware outlets.
- Placement of waterproof sealants (silicone) between the base of the shed and concrete slab is not recommended, as this process can have a reverse effect, preventing excess water from escaping, resulting with water accumulating and being trapped inside the shed.
- Absco accepts no responsibility for water entry, floor moisture, condensation or the condition of the Contents inside your Absco steel building arising from any of the pre-mentioned weather conditions.

Absco Skillion Roof Shed Notes

General

- 1.G This instruction manual shall be read in conjunction with other consultants drawings, specifications and written instructions provided by Absco and/or their representatives.
- 2.G The drawings provided herein are for installation and structural engineering purposes only. If discrepancies are discovered within the documentation provided, these shall be brought to the attention of Absco and written approvals obtained prior to commencing the affected section of work.
- 3.G If in doubt ask.
- 4.G Until approvals from the local authorities are obtained, commencement of construction from these drawings shall not commence.
- 5.G Unless varied by the project specification, all materials and workmanship shall be undertaken in accordance with the relevant Australian standards and the by-laws and ordinances of the relevant building authorities.
- 6.G All dimensions indicated in these drawings shall be verified on site by the installation contractor. Scaling of drawings shall not be undertaken.
- 7.G Prior to commencing works on site, the contractor shall verify the position of all services in the area to ensure that the construction does not interfere with any of those services.
- 8.G During installation on site the shed structures shall be maintained in a stable condition with no part becoming overstressed or permanently deformed.
- 9.G In circumstances where the shed has been installed in a manner which is inconsistent with the installation manual, structural certification shall be void.
- 10.G The structural components detailed within this installation manual have been designed for the following loads in accordance with AS/NZS1170 based on a Class 10a, Type 2 structure:
 - Roof Live Load: 0.25 kPa uniformly distributed or 1.1 kN concentrated as per AS/NZS1170.1 and is only valid when the doors of the shed are shut.
 - Wind Load: Classification N2, Non-Cyclonic to AS4055 where $V_u = 40$ m/s, $V_s = 26$ m/s
 - Windward wall $C_{pe} = 0.7$
 - Leeward Wall $C_{p,e} = -0.3$ to -0.5 as applicable based on shed geometry
 - Side Wall $C_{p,e} = -0.5$ to -0.65 as applicable based on shed geometry
 - Roof $C_{p,e} = -0.5$ to -1.3 depending on wind direction

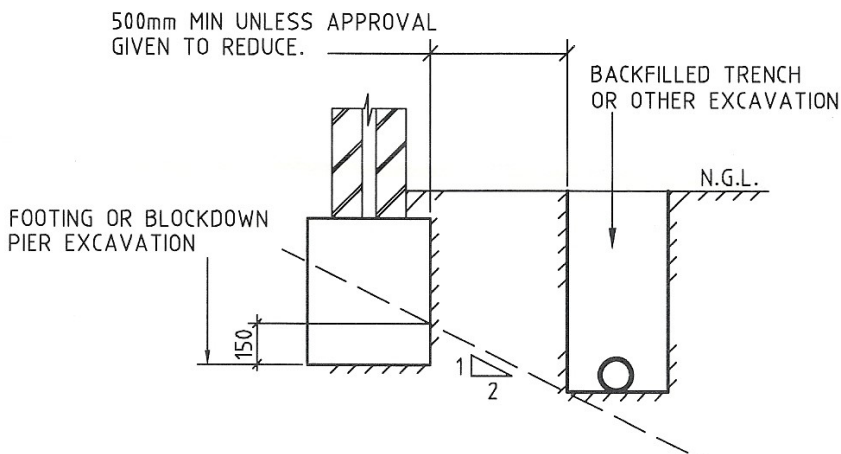
Absco Skillion Roof Shed Notes

Steelwork

- 1.S All structural steelwork shall have a corrosion protection system applied consistent with AS/NZS 2312-2002.
- 2.S All structural steelwork detailed within this installation manual shall be minimum Grade 550 for roll formed sections (including roof and wall sheeting) and Grade 250 for angle sections.
- 3.S All roof, and wall sheeting shall be minimum base metal thickness of 0.3mm
- 4.S All snaptite channels and jambs shall be minimum base metal thickness of 0.42mm
- 5.S All top hats shall be minimum base metal thickness of 1.0mm
- 6.S All screw fasteners shall be Phil Pan Head Zinc Plated #8 x 3/4" (STP0820)
- 7.S All bolt fasteners for anchoring shall be M10 minimum grade 4.6/S
- 8.S Installation of screw fasteners shall generally be undertaken in accordance with the relevant provisions of AS1562.

Supporting Slab and Foundations

- 1.F The supporting slab foundation for the garden shed shall be of a minimum size indicated on the installation manual. The top surface of the formed slab shall be level and free of any irregularities which would inhibit the installation of the shed.
- 2.F The structural engineering design for the supporting slab foundation shall be undertaken by a suitably qualified structural engineer. The design shall consider all relevant provision of AS3600 and AS2870.
- 3.F Between adjacent footings or excavations, the contractor installing the slab foundation shall not exceed a rise of 1 in a run of 2 in line of slope.
- 4.F Unless approved in writing by the slab foundation engineer, the limits of excavations near existing footings shall be in accordance with that indicated below.



The contractor shall undertake investigatory localised excavations near existing footings to ascertain their depth prior to excavating adjacent to them. It is noted that excavating to a depth below that indicated above shall not be undertaken without the written approval from the engineer.

Lifetime Warranty Statement



1. DEFINITIONS

In this document, capitalised terms have the following meaning:

- (a) "ABSCO" means John Scholtes Investments (No. 1) Pty Ltd trading as Absco Industries.
- (b) "Authorised Purpose" means for storage (other than storage of corrosive materials), and other activities typically expected of a non-habitable structure.
- (c) "Defect" means a defect in the design, workmanship, materials, or any other defect caused by the manufacturing process of the Product (including damaged or missing parts).
- (d) "Excluded Environment" means land located within 1km of:
 - (i) salt marine locations or other areas of marine influence;
 - (ii) severe industrial or other abnormally or highly corrosive environments;
 - (iii) areas not washed by rain;
 - (iv) a recognised flood, bushfire or earthquake zone; or
 - (v) areas with uncontrolled fill, unless an engineered foundation is constructed.
- (e) "Lifetime Warranty Period" means the period of 35 years, commencing on the day after the date of purchase of the Product.
- (f) "Lifetime Warranty Statement" means this 'Lifetime Warranty Statement' document.
- (g) "Parties" means ABSCO and You.
- (h) "Product" means any of following unless stated otherwise in the product description and/or the Product Guide for the Product:
 - (i) products which utilise ABSCO 'SNAP-TITE' technology, including but not limited to garden sheds, chicken coops, bike sheds and bin covers; and
 - (ii) all non-insulated large structures such as carports, awnings, shades and garages,but does not include any product stated to be in the "ABSCO Economy" range.
- (i) "Product Guide" means the guide for installation and maintenance of the Product produced by ABSCO.
- (j) "You" / "Your" means the customer who purchased or installed the Product, or the person who owns the land upon which the Product is installed but does not include a subsequent purchaser of the Product where the Product is moved to a different location to that originally installed.

2. ABSCO'S STRUCTURAL WARRANTY

- 2.1. ABSCO provides this warranty to You in relation to the Product. The warranty applies to all colours and finish variants of the Product manufactured by ABSCO and sold by authorised sellers of the Product in Australia or New Zealand.
- 2.2. Subject to the terms of this Lifetime Warranty Statement:
 - (a) ABSCO warrants that the Product will be free from Defects for the duration of the Lifetime Warranty Period; and
 - (b) where the Product contains a Defect, ABSCO will either repair or replace the Product, or provide You with monetary compensation for the Defect in accordance with clause 3.

3. WARRANTY CLAIM PROCEDURE

- 3.1. If, during the Lifetime Warranty Period, You believe the Product has a Defect, You must comply with the procedure set out in this clause 3.
- 3.2. Within 30 days of becoming aware of the Defect in the Product, You must notify ABSCO in writing of the alleged Defect ("Defect Notice") by email to admin@absco.com.au.
- 3.3. The Defect Notice must include:
 - (a) Your name, address and contact details;
 - (b) proof of purchase of the Product, including the colour and finish of the Product;
 - (c) the date and location of the installation of the Product and details of the contractor or installer of the Product;
 - (d) details of the alleged Defect in the Product, including but not limited to:
 - (i) a clear description of the alleged Defect;
 - (ii) the date the alleged Defect was first identified; and
 - (iii) any photographs and/or video footage of the alleged Defect.
- 3.4. As soon as reasonably practicable after receipt of the Defect Notice, ABSCO will contact You to investigate the alleged Defect. You must make the Product available to ABSCO and/or its authorised representatives for inspection and testing if so required.
- 3.5. A travel fee may apply if ABSCO and/or its authorised representatives are required to inspect the Product outside a capital metropolitan city area.
- 3.6. If ABSCO's investigations reveal a genuine Defect in the Product, ABSCO may elect to either:
 - (a) repair the Product;
 - (b) replace all or part of the Product; or
 - (c) refund all or part of the purchase price paid by You as compensation for the Defect in the Product.
- 3.7. ABSCO's election in clause 3.6 is at ABSCO's sole discretion.
- 3.8. If ABSCO elects to repair the Product, ABSCO will arrange for a qualified tradesperson to attend to the rectification of the Defect as soon as reasonably practicable. The cost of the repair will be borne by ABSCO.
- 3.9. If ABSCO elects to replace the Product:
 - (a) ABSCO will arrange for the replacement Product to be available for collection by You from the nearest ABSCO authorised reseller as soon as reasonably practicable;
 - (b) You may be required to return the alleged Defective parts or components to ABSCO; and
 - (c) You will be liable for the cost of disassembly and removal of the Product and assembly of the replacement Product.
- 3.10. If ABSCO elects to repair or replace the Product and the necessary parts or components are no longer manufactured or supplied by ABSCO, ABSCO may repair or replace the parts or components with parts or components of a similar quality, grade, composition and colour. You cannot object to such an alternative.
- 3.11. If ABSCO's investigations do not reveal a genuine Defect in the Product (including a defect which is not covered by this warranty), You agree to pay ABSCO's reasonable investigation costs.

4. WARRANTY LIMITATIONS / EXCLUSIONS

4.1. To the extent permitted by law, this warranty will not apply where:

- (a) the Product has been installed or used for a purpose that is not an Authorised Purpose;
- (b) the Product has not been installed, assembled, maintained and/or operated in complete compliance with ABSCO's Product Guide;
- (c) the Product has been used to store corrosive materials such as fertiliser or chlorine;
- (d) the Product was installed in excess of 12 months after the purchase of the Product;
- (e) the Product has not been installed in accordance with the relevant standards, codes and statutory regulations;
- (f) the Defect is determined to have been caused by storm, wind, rain, earthquake, fire, snow or poor foundations;
- (g) the Defect is, or is the result of, surface deterioration of panels caused by 'swarf' (tiny particles of steel debris left from cutting, grinding or drilling operations);
- (h) the Product has been installed in an Excluded Environment;
- (i) the Product has been subject to accident, negligence, alteration, abuse or misuse;
- (j) the Defect is determined to be the result of overloading; or
- (k) ABSCO determines that the Defect is the result of a failure of a third-party product.

4.2. You acknowledge that:

- (a) dimensions and colour of the Product are subject to normal manufacturing variations and tolerances, and that reasonable variances are not considered a Defect under this warranty; and
- (b) this warranty is limited to the repair or replacement of Defects in the Product and does not extend to any other product or any other consequential or indirect damage incurred as a result of the Defect.

4.3. For the purpose of this warranty, the following matters are excluded from the definition of Defect:

- (a) general wear and tear which is reasonably expected to occur over the life of the Product;
- (b) surface deterioration of panels caused by 'swarf' (tiny particles of steel debris left from cutting, grinding or drilling operations);
- (c) condensation caused by weather conditions such as extreme heat or cold;
- (d) defects in any fastening apparatus (screws, nuts, bolts, rivets, hasps or bolts);
- (e) leaks caused by driving rain;
- (f) improper installation, maintenance or handling of the Product;
- (g) movement, distortion, collapse or settling of the ground or the supporting structure on which the Product is installed; or
- (h) staining from foreign substances (including mould, mildew, dirt, grease, oil and any other substance).

4.4. To the extent permitted by law, ABSCO is not liable to compensate You for any:

- (a) increased costs or expenses;
- (b) loss of profit, revenue, business, contracts or anticipated savings;
- (c) loss or expense resulting from a claim by a third-party; or

- (d) special, indirect or consequential loss or damage of any nature whatsoever, arising from a Defect in the Product or ABSCO's repair or replacement of the Product under this warranty.

5. CONSUMER LAW

Australian Consumer Law

5.1. Clauses 5.2 to 5.3 apply where the Product was purchased in Australia.

5.2. The Product comes with guarantees that cannot be excluded under the Australian Consumer Law. You may be entitled to a replacement or refund for a major failure of the Product and compensation for any other reasonably foreseeable loss or damage. You may also be entitled to have the Product repaired or replaced if the Product fails to be of acceptable quality and the failure does not amount to a major failure.

5.3. The benefits of this Lifetime Warranty Statement are in addition to any rights and remedies imposed by Australian State and Federal legislation that cannot be excluded. Nothing in this Lifetime Warranty Statement is to be interpreted as excluding, restricting or modifying any State or Federal legislation applicable to the supply of goods and services which cannot be excluded, restricted or modified.

New Zealand Consumer Law

5.4. Clauses 5.5 to 5.6 apply where the Product was purchased in New Zealand.

5.5. This warranty is subject to the laws of New Zealand, including but not limited to the New Zealand Sale of Goods Act, the Consumer Guarantees Act and the Fair Trading Act.

5.6. The benefits of this Lifetime Warranty Statement are in addition to any rights and remedies imposed by New Zealand legislation that cannot be excluded. Nothing in this Lifetime Warranty Statement is to be interpreted as excluding, restricting or modifying any New Zealand legislation applicable to the supply of goods and services which cannot be excluded, restricted or modified.

6. NO REPRESENTATIONS / ENTIRE AGREEMENT

6.1. You agree and acknowledge that this Lifetime Warranty Statement contains the entire agreement between the Parties regarding the warranty provided by ABSCO to You in relation to the Product.

6.2. To the full extent permitted by law, this Lifetime Warranty Statement supersedes all other warranties of any kind, including whether express or implied by representations, statement, correspondence or other conditions such as merchantability or fitness for purpose.

7. REGISTRATION OF WARRANTY

7.1. Please ensure that You keep this Lifetime Warranty Statement in a safe place along with your proof of purchase of the Product.

7.2. To ensure ABSCO has a record of your warranty, You can register Your warranty online at <http://absco sheds.com.au/warranty-details/>.