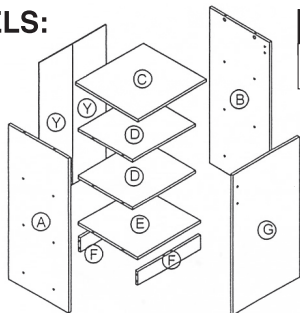


# 1 Door Floor Cupboard

## ASSEMBLY INSTRUCTIONS PAGE 1

(ASSEMBLE ON A LEVEL, CLEAN SURFACE)

### PANELS:



**IMPORTANT**  
WHEN THE THIN EDGE OF A PANEL FACES FORWARD IN A UNIT, THAT EDGE SHOULD ALWAYS BE WHITE



No	DIAGRAM / DESCRIPTION	Qty
1	UNITAR SCREW (M6.3 x 40mm)	12
2	ALLEN KEY 'Z'	1
3	MOONSHAPE METAL HANDLE SCREW (M4 x 20mm)	1 2
4	MINI METAL DOOR HINGE	2 SETS
5	CSK SCREW (M3.5 x 16mm)	10
6	CAM	4
7	CAM BOLT	4
8	WOOD DOWEL (8 x 40mm)	8
9	NAIL LEG STUD	4
10	NAIL	30
11	UNITAR SCREW CAP	12
12	ANTI-TIP BRACKET	1
13	WALL PLUG	2
14	SCREW (M4 x 30mm)	2

**WHITE MATT FINISH**

90cm H | 45cm W | 41cm D

**CARE CAUTION:** TO CLEAN PARTICLE BOARD WITH MELAMINE FINISH, PLEASE CLEAN WITH A SOFT, DRY CLOTH. DO NOT USE CHEMICALS OR DETERGENTS AND AVOID WATER AND DIRECT SUNLIGHT.

**WARNING: Tip-over hazard.**



**WARNING:** It is **STRONGLY RECOMMENDED** that you **ANCHOR** this product by installing the **ANTI-TIP BRACKET** and **SCREWS** (Step 11) and **ATTACHING** the *Faulkner 1 Door Floor Cupboard* to a **SOLID, FLAT WALL**.

**DANGER: TOPPLING FURNITURE CAN CAUSE SERIOUS INJURIES AND DEATH.**

**IMPORTANT:** Regularly check that Anti-Tip Bracket and Screws are securely maintained. Stability of tall items may be affected by thick carpets and uneven floors, or uneven and unstable walls.

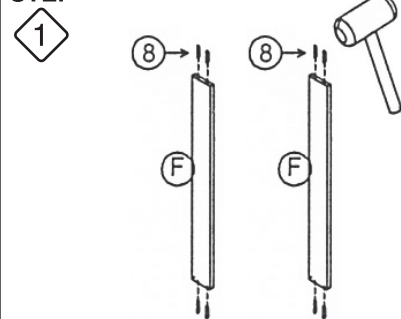
**SAFETY:** Carefully check for any electrical wires or plumbing inside the wall before drilling any holes (If unsure, contact a qualified Tradesman).

Walls are constructed from different materials (i.e: Masonry = Solid Wall, Plasterboard = Hollow Wall) so it is important to use appropriate wall fixings and screws for your wall type. Your local Hardware Store will stock the necessary extra screws, drill bits and fixings, and can offer suitable advice if needed. **DO NOT** place TV Sets or other heavy objects on top of this Unit. **DO NOT** overload the shelves of this Unit. **NEVER** allow children or adults to climb or hang on this Unit.

### ASSEMBLY:

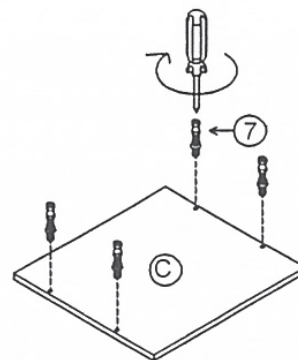
8/22

#### STEP 1

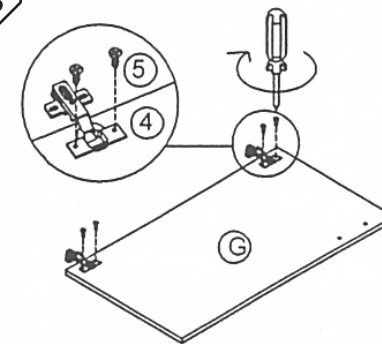


POSITION WOOD DOWEL. START ASSEMBLING BY FIXING WOOD DOWELS TO PANEL F.

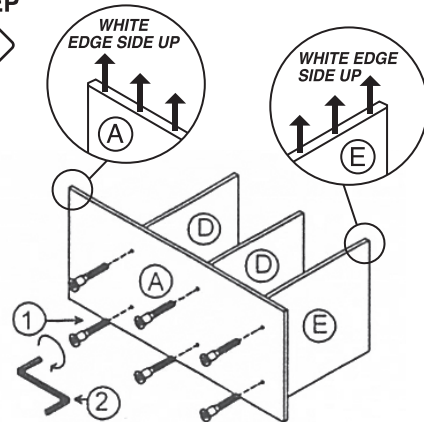
#### STEP 2



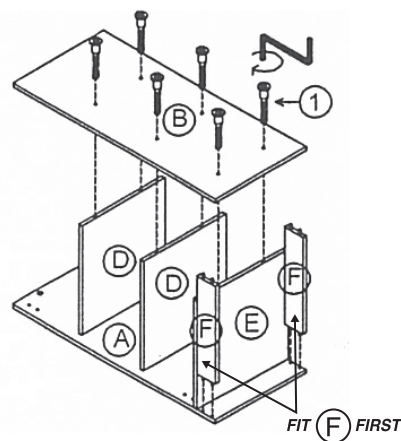
#### STEP 3



#### STEP 4

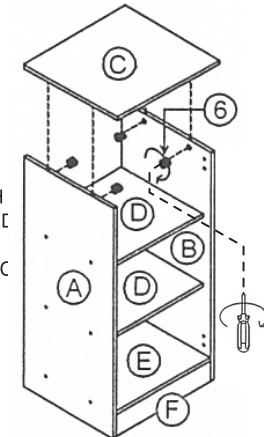


#### STEP 5



#### STEP 6

PRESS CAM TO THE BOTTOM OF THE HOLE AND MAKE SURE THE ARROW ON TOP OF EACH CAM IS POINTING TOWARD THE CAM BOLT HOLE. TURN CAM CLOCKWISE TO LOCK THE CAM TO THE CAM BOLT.

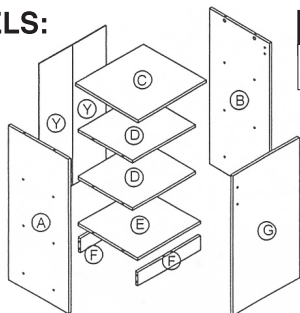


# 1 Door Floor Cupboard

## ASSEMBLY INSTRUCTIONS PAGE 2

(ASSEMBLE ON A LEVEL, CLEAN SURFACE)

### PANELS:



**IMPORTANT**  
WHEN THE THIN EDGE OF A PANEL FACES FORWARD IN A UNIT, THAT EDGE SHOULD ALWAYS BE WHITE



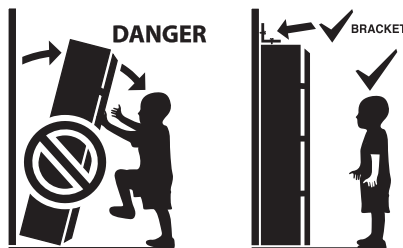
No	DIAGRAM / DESCRIPTION	Qty
1	UNITAR SCREW (M6.3 x 40mm)	12
2	ALLEN KEY 'Z'	1
3	MOONSHAPE METAL HANDLE SCREW (M4 x 20mm)	1
4	MINI METAL DOOR HINGE	2 SETS
5	CSK SCREW (M3.5 x 16mm)	10
6	CAM	4
7	CAM BOLT	4
8	WOOD DOWEL (8 x 40mm)	8
9	NAIL LEG STUD	4
10	NAIL	30
11	UNITAR SCREW CAP	12
12	ANTI-TIP BRACKET	1
13	WALL PLUG	2
14	SCREW (M4 x 30mm)	2

### WHITE MATT FINISH

90cm H | 45cm W | 41cm D

**CARE CAUTION:** TO CLEAN PARTICLE BOARD WITH MELAMINE FINISH, PLEASE CLEAN WITH A SOFT, DRY CLOTH. DO NOT USE CHEMICALS OR DETERGENTS AND AVOID WATER AND DIRECT SUNLIGHT.

**WARNING: Tip-over hazard.**



**WARNING:** It is **STRONGLY RECOMMENDED** that you **ANCHOR** this product by installing the **ANTI-TIP BRACKET** and **SCREWS** (Step 11) and **ATTACHING** the *Faulkner 1 Door Floor Cupboard* to a **SOLID, FLAT WALL**.

**DANGER: TOPPLING FURNITURE CAN CAUSE SERIOUS INJURIES AND DEATH.**

**IMPORTANT:** Regularly check that Anti-Tip Bracket and Screws are securely maintained. Stability of tall items may be affected by thick carpets and uneven floors, or uneven and unstable walls.

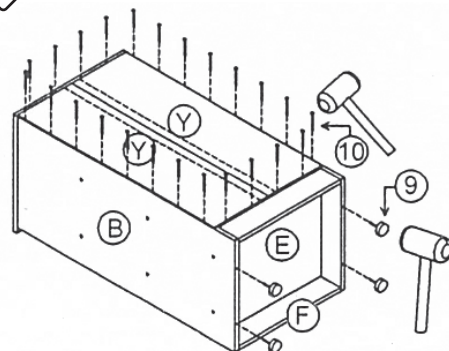
**SAFETY:** Carefully check for any electrical wires or plumbing inside the wall before drilling any holes (If unsure, contact a qualified Tradesman).

Walls are constructed from different materials (i.e: Masonry = Solid Wall, Plasterboard = Hollow Wall) so it is important to use appropriate wall fixings and screws for your wall type. Your local Hardware Store will stock the necessary extra screws, drill bits and fixings, and can offer suitable advice if needed. **DO NOT** place TV Sets or other heavy objects on top of this Unit. **DO NOT** overload the shelves of this Unit. **NEVER** allow children or adults to climb or hang on this Unit.

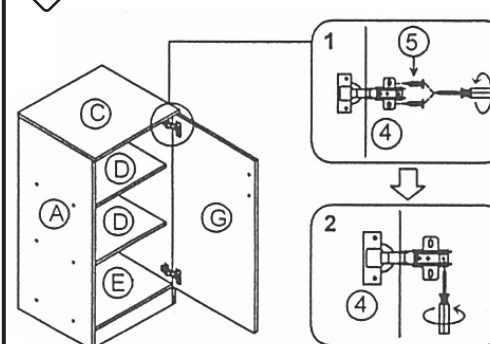
### ASSEMBLY: (cont)

8/22

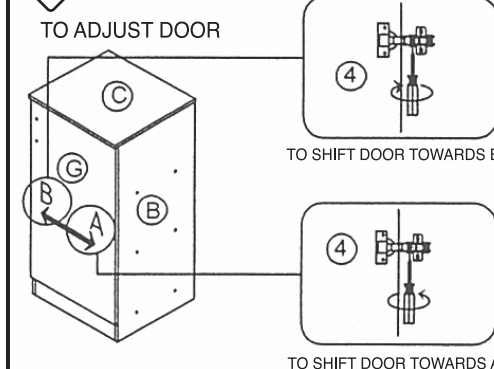
#### STEP 7



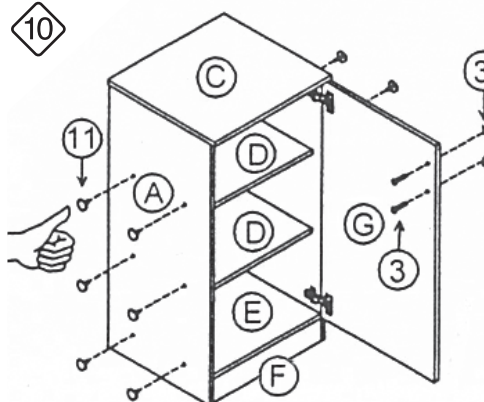
#### STEP 8



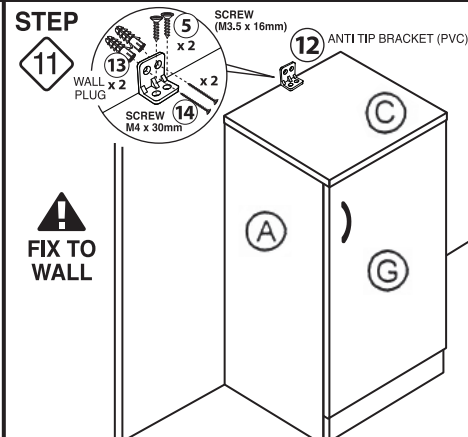
#### STEP 9



#### STEP 10



#### STEP 11



**COMPLETE**