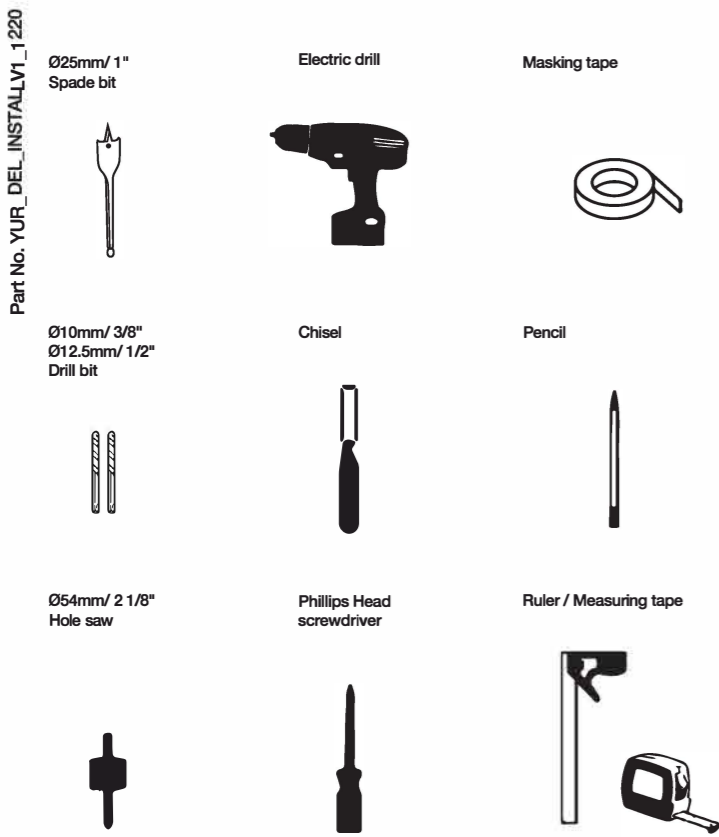


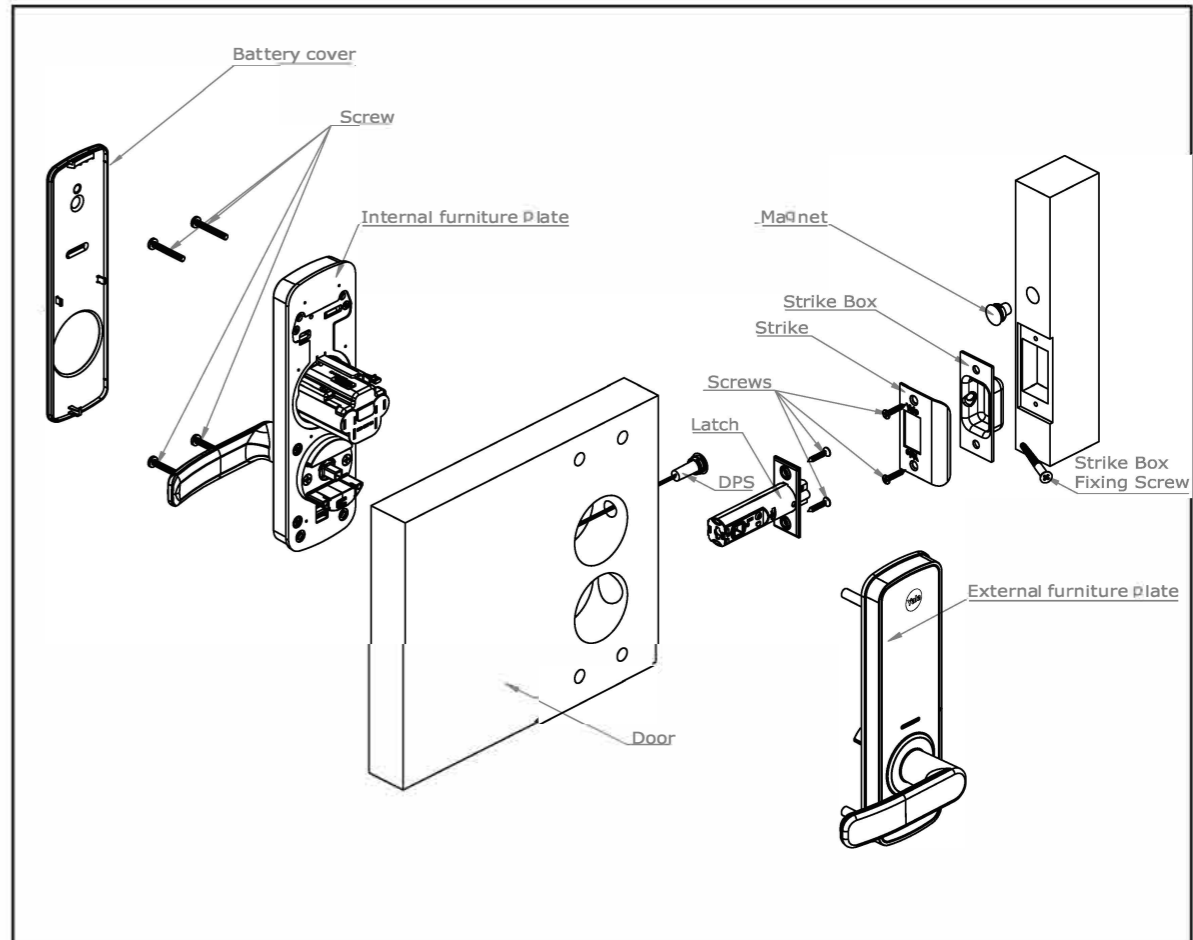
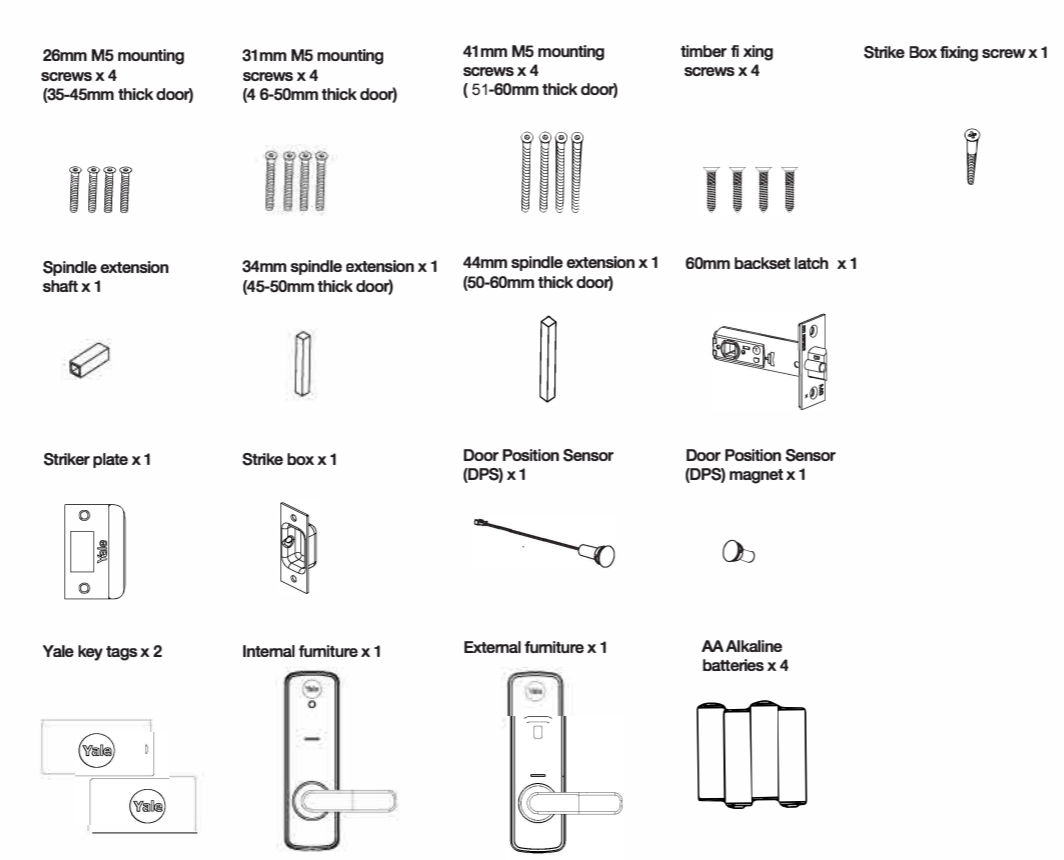


Unity Entrance Lock Installation Guide

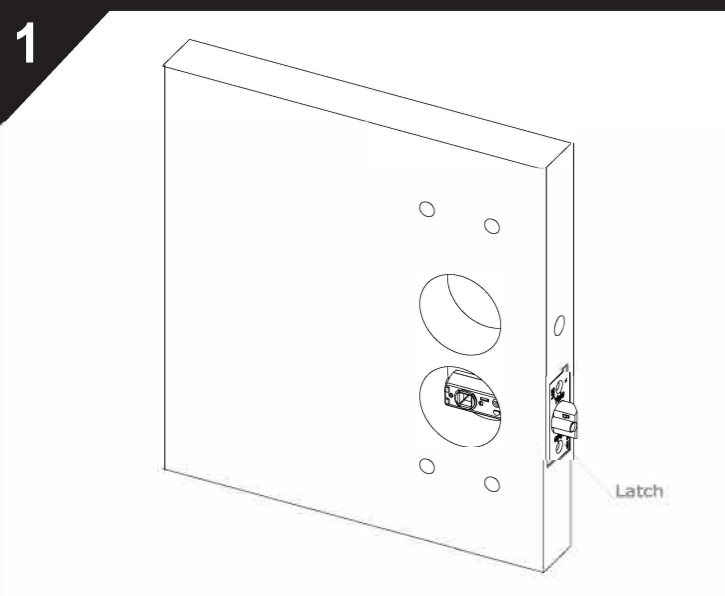
TOOLS REQUIRED



COMPONENTS

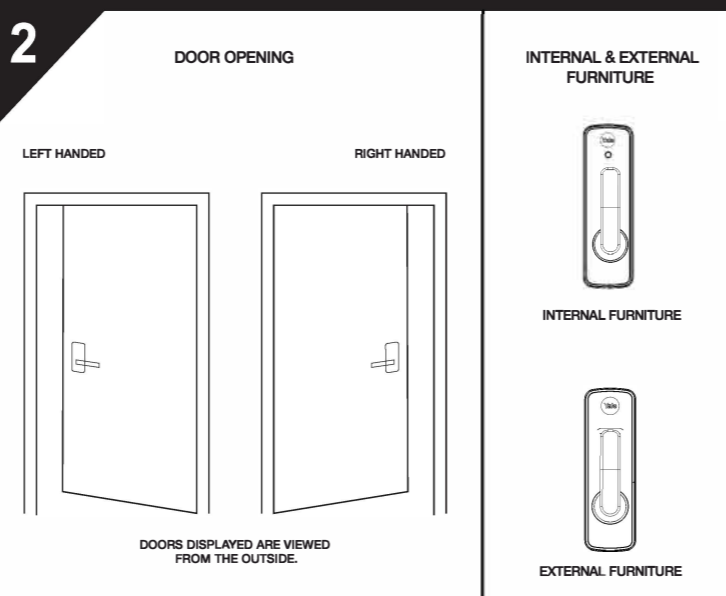


PREPARATION OF DOOR



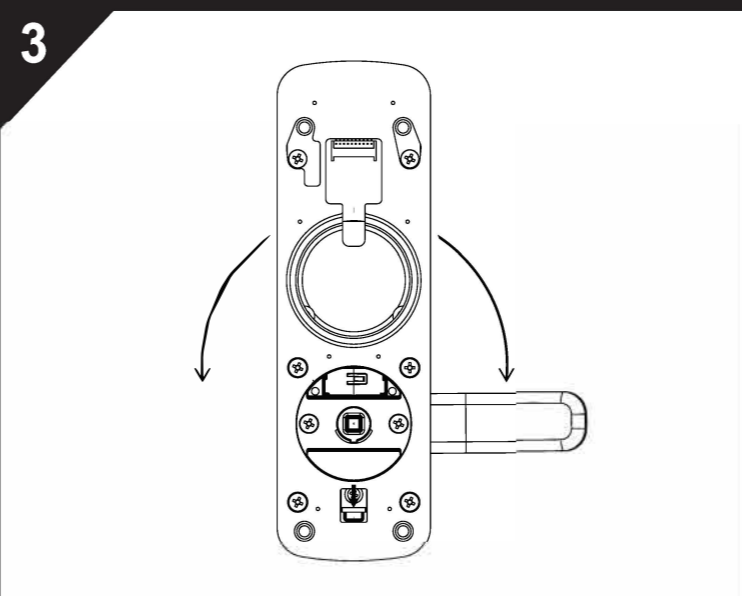
Using the door template provided, mark out the required holes for drilling including the latch and Door Position Sensor (DPS) hole.

PREPARE LOCK



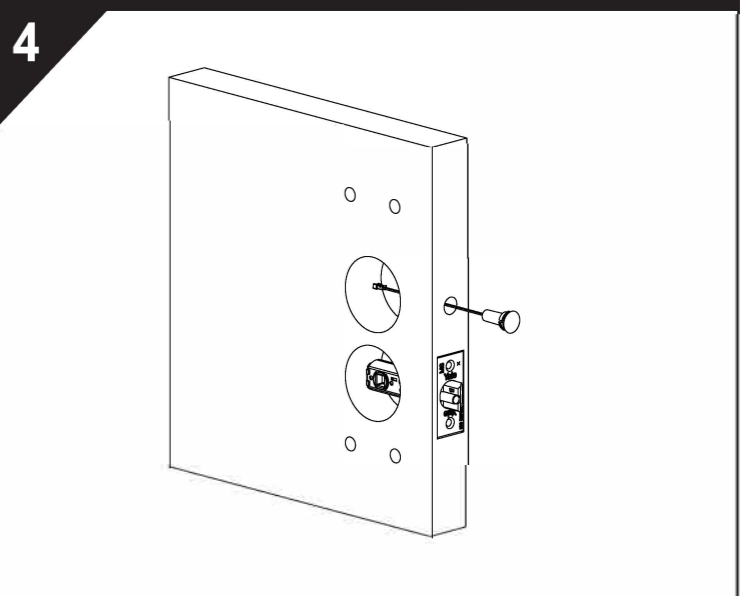
To prepare the lock for install, you will need to establish whether the door is right or left hand opening according to the image above. Once identified, you can now select the correct handing of the lock to suit the door entry, right or left.

HANDING THE LOCK



To hand the lock, on the inside of the handle, hold down on the metal slide tab -① located towards to bottom and rotate the handle left or right depending on your selected handing -②. **Ensure you hold down the tab at all times during the rotation. Rotation should be smooth, if you experience firm resistance, release the handle and slide tab and repeat handing process. Ensure you complete this for both handles.**

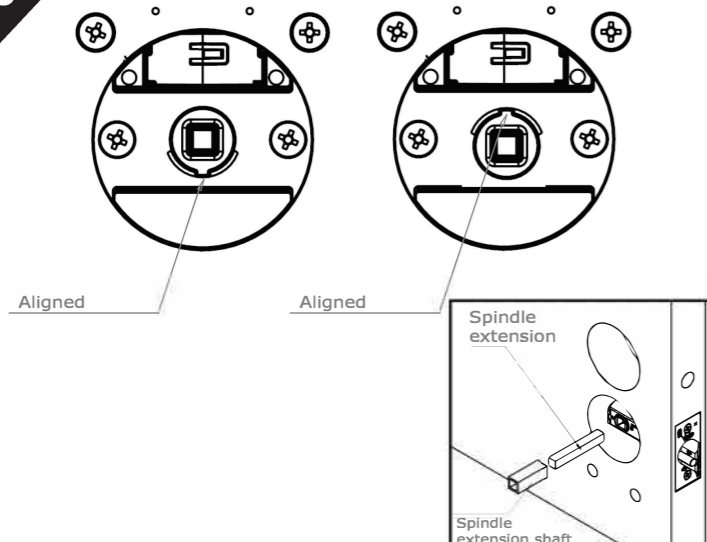
INSTALL THE DPS SENSOR & MAGNET



Insert the DPS through the 12.5mm hole on the dooredge. Feed the cable first through the DPS hole.

CLUTCH ALIGNMENT

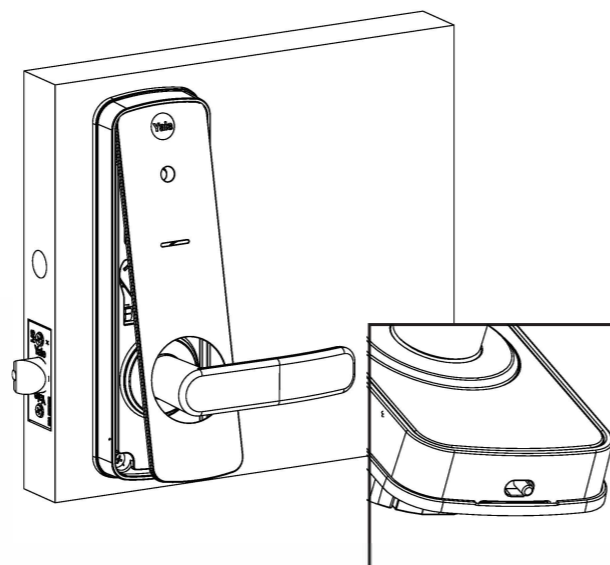
5



Prior to fitting the lock to the door, ensure that the clutch is straight and aligned on the internal and external furniture.
***Door thicknesses over 40mm will need to use the spindle extensions.**
 Establish the thickness of your door and select the required fixing screws and spindles (if required). Feed the spindle extension shaft over the spindle extension and then feed this through the latch.

REMOVE THE BATTERY COVER

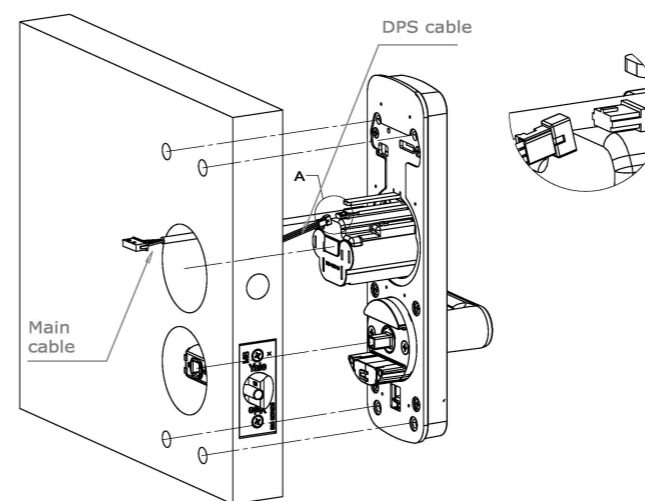
6



Remove the battery cover by the release tab located at the bottom of the internal furniture. Place the battery cover aside for the time being.

FIT THE INTERNAL FURNITURE

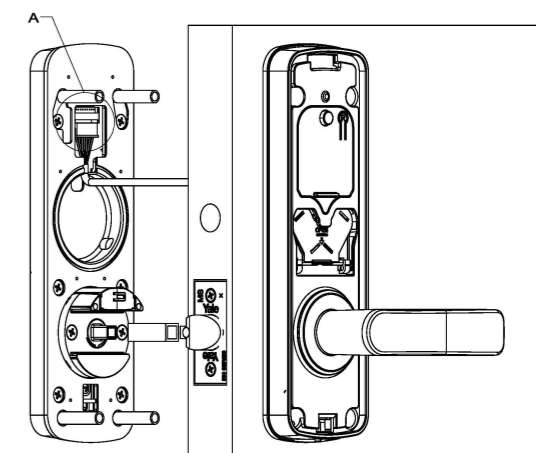
7



To fit the internal lock body to the door, feed the main cable and the DPS cable through the top hole and then fit the lock into place. Connect the DPS from the internal furniture to the DPS cable.

CONNECT THE MAIN CABLES

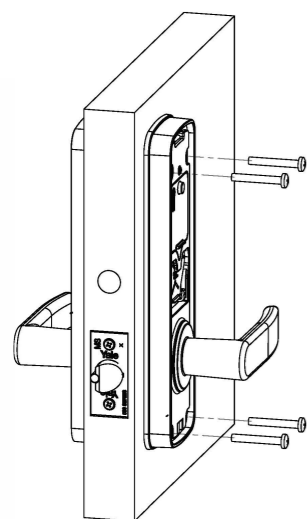
8



Taking the external furniture, connect the main cable from the internal furniture into the power housing found at the top of the external furniture - A.

FIXING THE LOCK TO THE DOOR

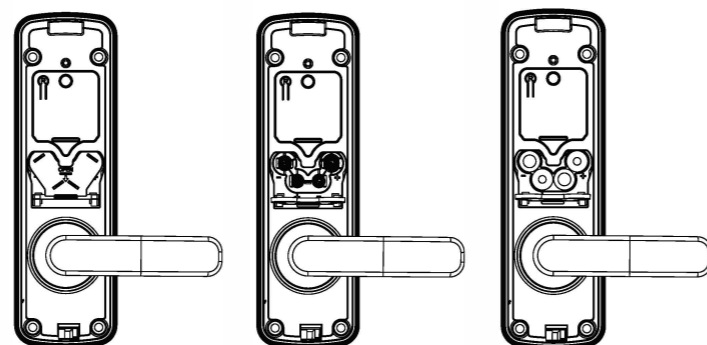
9



Taking care not to pinch the cables, fit the external lock body to the door.
 Using the Phillips Head screwdriver and selected mounting screws, fix the two lock bodies together. It is now time to install the batteries in the lock.
IMPORTANT: Do not close your door prior to install the batteries

INSTALL BATTERIES

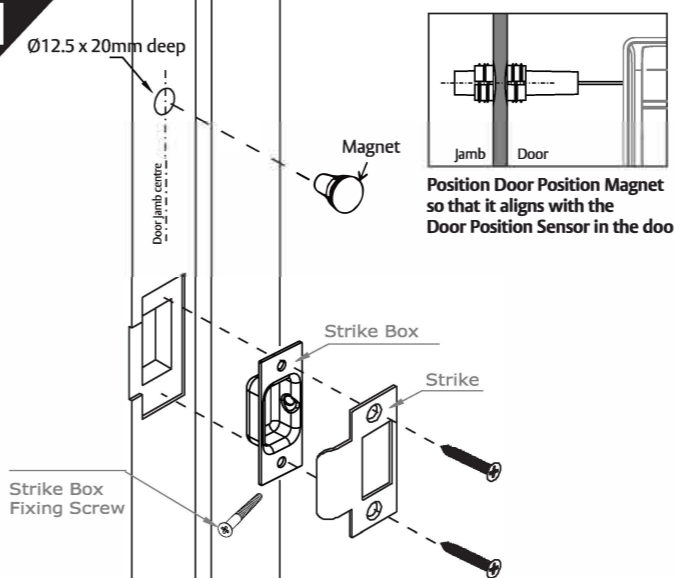
10



Push down on the battery tab as shown in the image to open the battery compartment. Install the 4 x AA Alkaline batteries.
***Carefully note of the indicated "+" & "-" pattern shown on battery compartment.**
 Once the batteries are installed, test the interior lever is engaged with the latch. If so, the latch should retract.

INSTALL STRIKE PLATE & DPS MAGNET

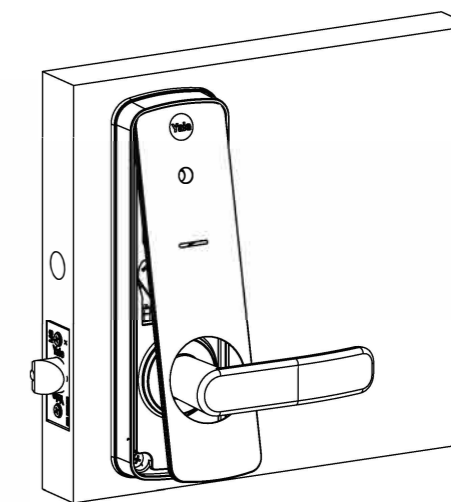
11



Align the DPS location onto the door jamb using a pencil. Drill a 12.5mm dia x 20mm deep hole using the 12.5mm drill bit. Fit the DPS magnet into the door jamb. Partially close the door and mark the position of the latch bolt to determine the striker height. Mark and mortice the door jamb to suit the strike box and strike plate. Fix the strike box to the jamb and then secure the strike plate over with the timber fixing screws.
***Ensure that the auxiliary bolt is depressed when the door is closed.**

COMPLETE INSTALLATION

12



To complete the installation, replace the battery cover top end first and push bottom edge to lock into place.
 Your lock will turn on, ready to connect to your phone.
 For lock setup, please refer to the Yale Access Quickstart Guide.