



**ALFRESCO  
KITCHEN  
RANGE**



## ALFRESCO KITCHENS

### NEW - ALFRESCO KITCHENS BY PRINCIPAL

Whether you're looking for a holiday getaway in your backyard or an entertainer's dream area, the new Alfresco Kitchen range from Principal will make it happen.

Take advantage of the many options including a beverage fridge and a variety of cabinet configurations, we make sure you can have all the creature comforts brought out doors with you.

Designed and manufactured from hard wearing materials that are impervious to water ensure your Alfresco Kitchen will still be looking good even after many years of cooking and entertaining.

Featuring Australian made cabinets, premium Häfele hardware and Australian manufactured compact laminate benchtops and doors, the range is durable, antibacterial, waterproof and hard wearing.

With two door colours and four Benchtop colours to choose from, your Alfresco Kitchen can make a statement or sit unassumingly within your Alfresco area.

From morning to night, a family dinner or large gathering, the Alfresco kitchen is ready for it all.

[www.principalkitchens.com.au](http://www.principalkitchens.com.au)



# Principal. Kitchens



**GOOSENECK MIXER TAP**  
PULL OUT NOZZLE  
Features:  
Stainless Steel  
4 Star WELS Rating  
7 litres per minute



**FLAT PLATE BBQ**  
HEATLIE 600 OR 850  
Features:  
Flame failure as standard  
Auto ignition  
Fully assembled  
LPG or Natural gas options  
Hood and grill plate options available  
Made in Australia



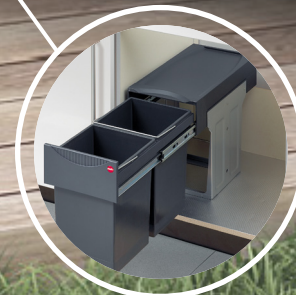
**SINGLE BOWL**  
SQUARELINE  
Features:  
Single bowl  
Watermark certified designer waste  
Top mount fixing clips  
32L bowl capacity



**BEVERAGE FRIDGE**  
60CM OUTDOORS  
Material:  
Stainless Steel 304 with glass  
Triple glazed heated glass door to prevent condensation.  
Features:  
Single Zone, 118L capacity  
IPX4 Outdoor rating  
Internal LED strip lighting  
Electronic controls  
Temperature range 0-10°C  
Tropical rated: Ambient temp up to 43°C



**CLEANING AGENT**  
Features:  
Base mounted, under sink pull out unit. All plastic elements are detachable for easy cleaning and are dishwasher safe.  
One piece base with streamlined wire surround. Single bowl.  
Material:  
Steel frame and runner, steel and plastic modular elements.  
Finish:  
Grey powder-coated frame, runner and modular elements, grey modular elements.  
Dimensions (mm): 298 x 480 x 480 (W x D x H)  
Load  
Capacity (kg): 12  
Extension  
Length (mm): 440



**TANDEM 30**  
2 X 15 LITRE CAPACITY  
Material:  
Bin holder mounting components and runners: steel  
Lid and pails: Plastic  
300 mm  
For carcass width:  
Colour:  
Features:  
Grey plastic-coated frame, dark grey plastic pails and lid  
Designed to be withdrawn from the cabinet whilst the lid lifts and remains in the cabinet  
The frame incorporates its own runners and is secured to the carcass base



# BENCHTOP COLOUR RANGE

## AUSTRALIAN MANUFACTURED COMPACT LAMINATE

Compact 12 mm Laminate is durable, antibacterial, waterproof and hard wearing. Benchtops available in 4 colours, Calcutta Grey, White Cement, Catalina Marble, Metallic Texture



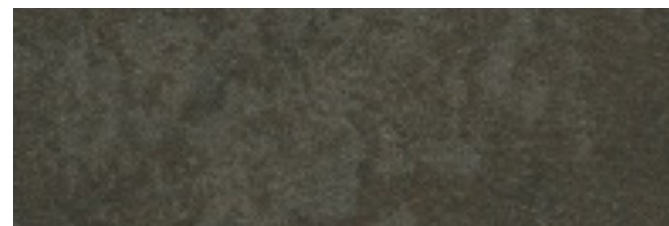
CALCUTTA GREY



WHITE CEMENT



CATALINA MARBLE

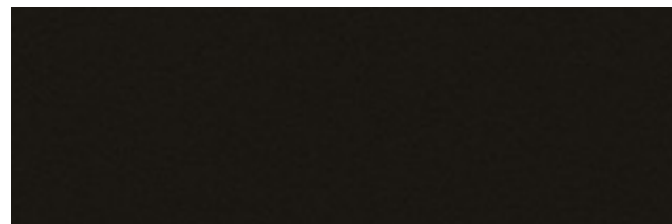


METALLIC TEXTURE

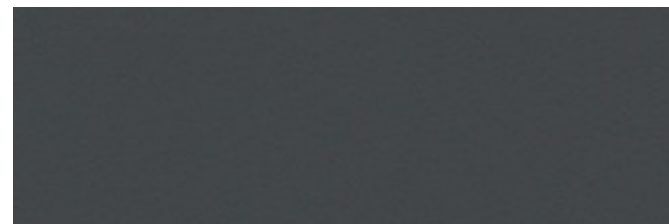
# DOOR COLOUR RANGE

## AUSTRALIAN MANUFACTURED COMPACT LAMINATE

Compact Laminate is durable, antibacterial, waterproof and hard wearing. Doors available in 2 colours, Black and Charcoal



BLACK



CHARCOAL

## PLANNING AND INSTALLATION

When planning your Alfresco Kitchen the following points need to be considered.

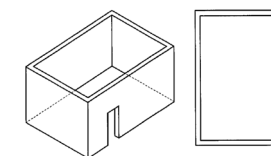
- The positioning of the Alfresco Kitchen must be undercover. Avoid, direct sunlight and weather. The materials used are resistant to weather but prolonged exposure to the weather will cause permanent damage.
- Our Alfresco Kitchen has compact laminate door and drawer fronts and compact laminate tops so if the Alfresco Kitchen will be installed on an elevated deck or balcony the integrity and load capacity of the structure is paramount. Engage a Qualified Trades person or Engineer to ensure the structure can support this additional weight.
- If the Alfresco Kitchen will backing onto a wall the wall material must be non-combustible, i.e. Cement Sheet (Blue board), Masonry/brick
- Plan any outdoor power outlets and have installed prior to your Alfresco Kitchen Installation, particularly if a Beverage Fridge or Outdoor Canopy will be installed.
- If a hood upgrade is required please note this must be purchased together with the Alfresco kitchen as deeper bench-tops and end panels are required to allow the hood to open.
- If a grill plate upgrade is required please note this must be purchased at the time of the Alfresco kitchen and the BBQ will be supplied with the grill plate in lieu of the flat plate.

## USE OUTDOORS ONLY

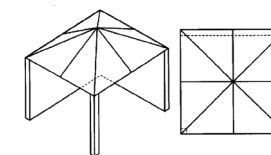
This appliance shall only be used in an above ground open-air situation with natural ventilation, without stagnant areas, where gas leakage and products of combustion are rapidly dispersed by wind and natural convection. Any outdoor enclosure in which the appliance is used shall comply with one of the following:

- An enclosure with wall on all sides, but at least one permanent opening at ground level and no overhead cover. See Figure 1.
- Within a partial enclosure that includes an overhead cover and no more than two walls. See Figure 2 & 3.
- Within a partial enclosure that includes an overhead cover and more than two walls, the following shall apply: At least 25% of the total wall area is completely open and unrestricted. See Figure 4 & 5. At least 30% of the remaining wall area is open and unrestricted. See Figure 4 & 5.
- In the case of balconies, at least 20% of the total of the side, back and front wall areas shall be and remain open and unrestricted.

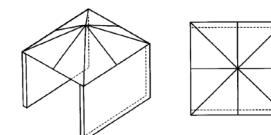
The following diagrams provide a diagrammatic representation of outdoor areas. Rectangular areas have been used in these figures - the same principles apply to any other shaped area.



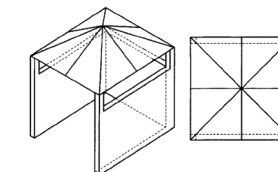
**Figure 1:** Enclosure with walls on all side but no overhead cover



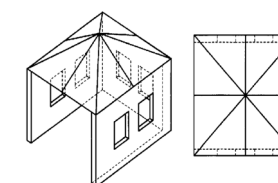
**Figure 2:** Partial enclosure with overhead cover and no more than two walls



**Figure 3:** Partial enclosure with overhead cover and no more than two walls



**Figure 4:** Open side at least 25% of total wall area. 30% or more in total of the remaining wall area is open and unrestricted.



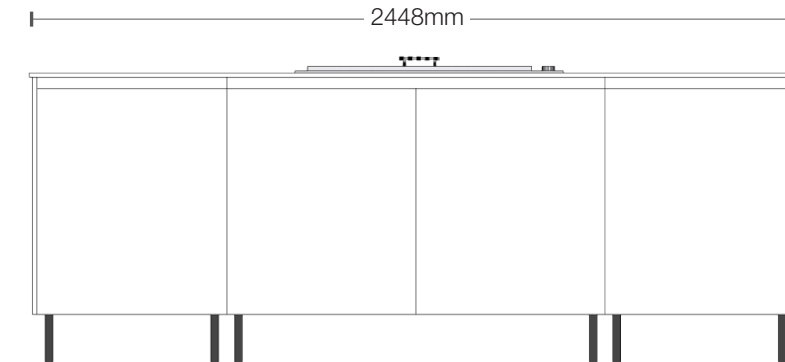
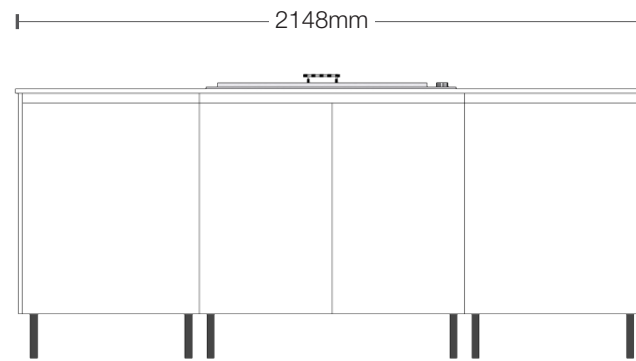
**Figure 5:** Open side at least 25% of total wall area. 30% or more in total of the remaining wall area is open and unrestricted.





## CONFIGURATIONS VERSION 1 900MM

## CONFIGURATIONS VERSION 1 1200MM



### 900MM BBQ CABINET SET

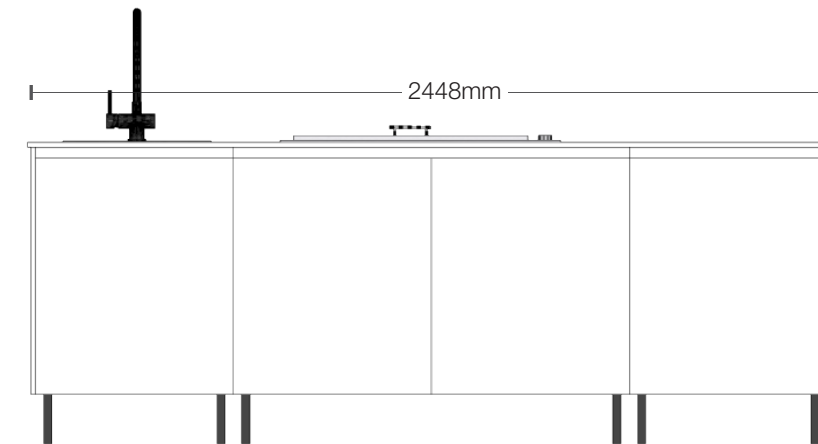
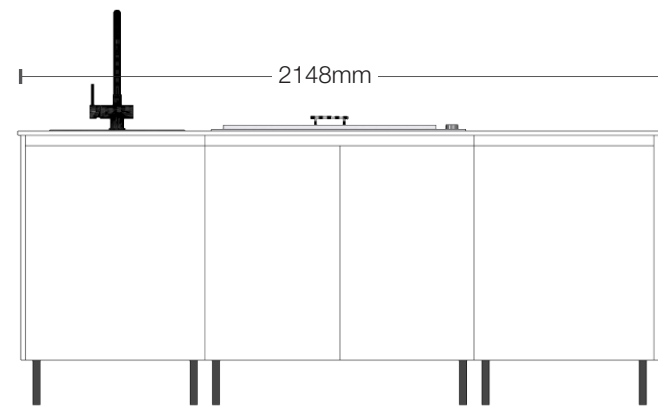
### 1200MM BBQ CABINET SET

Description	Calcutta Grey	White Cement	Catalina Marble	Metallic Texture
Charcoal	561.16.030	561.16.060	561.16.031	561.16.090
Black	561.16.043	561.16.045	561.16.044	561.16.046

Description	Calcutta Grey	White Cement	Catalina Marble	Metallic Texture
Charcoal	561.16.035	561.16.036	561.16.037	561.16.038
Black	561.16.051	561.16.053	561.16.052	561.16.054

Cabinets included: 900mm BBQ Cabinet, Gas Bottle Cabinet, Cabinet with Shelf.

Cabinets included: 1200mm BBQ Cabinet, Gas Bottle Cabinet, Cabinet with Shelf.



### 900MM BBQ CABINET SET WITH SINK & TAP LH

### 1200MM BBQ CABINET SET WITH SINK & TAP LH

Description	Calcutta Grey	White Cement	Catalina Marble	Metallic Texture
Charcoal	561.16.032	561.16.061	561.16.033	561.16.034
Black	561.16.047	561.16.049	561.16.048	561.16.050

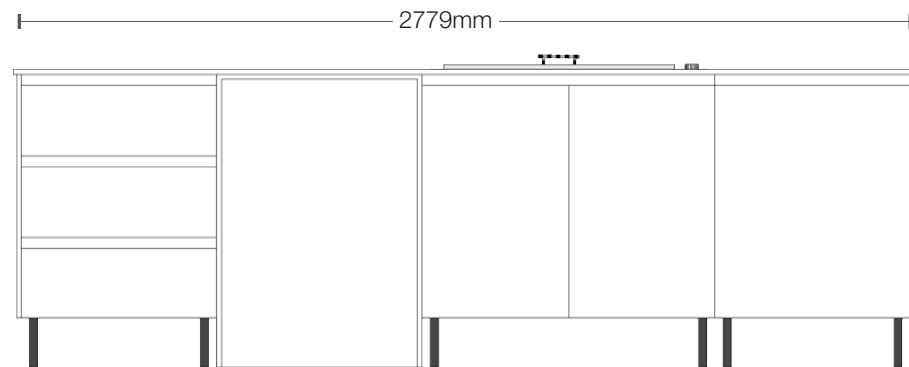
Description	Calcutta Grey	White Cement	Catalina Marble	Metallic Texture
Charcoal	561.16.039	561.16.041	561.16.040	561.16.042
Black	561.16.055	561.16.056	561.16.057	561.16.059

Cabinets included: 900mm BBQ Cabinet, Gas Bottle Cabinet, Cabinet with Shelf.

Cabinets included: 1200mm BBQ Cabinet, Gas Bottle Cabinet, Cabinet with Shelf.



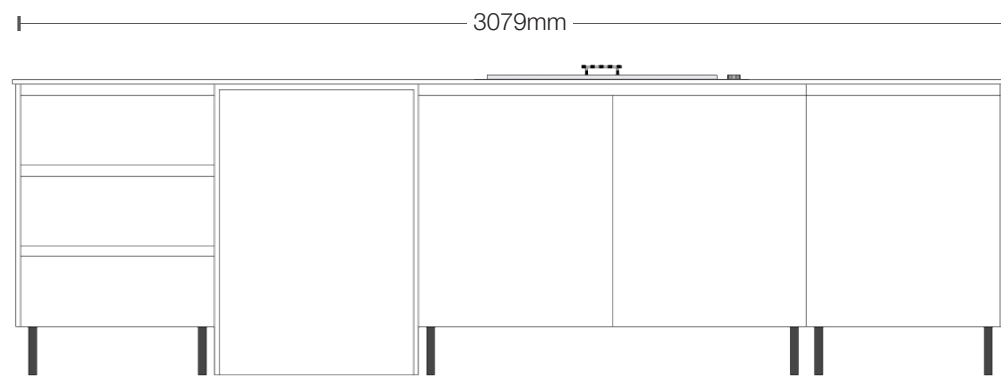
## CONFIGURATIONS VERSION 2 900MM & 1200MM



### 900MM BBQ CABINET SET

Description	Calcutta Grey	White Cement	Catalina Marble	Metallic Texture
Charcoal	561.16.058	561.16.063	561.16.062	561.16.064
Black	561.16.069	561.16.070	561.16.072	561.16.071

Cabinets included: 900mm BBQ Cabinet, Gas Bottle Cabinet, Fridge Cabinet, Drawer Cabinet.



### 1200MM BBQ CABINET SET

Description	Calcutta Grey	White Cement	Catalina Marble	Metallic Texture
Charcoal	561.16.065	561.16.066	561.16.067	561.16.068
Black	561.16.073	561.16.074	561.16.075	561.16.076

Cabinets included: 1200mm BBQ Cabinet, Gas Bottle Cabinet, Fridge Cabinet, Drawer Cabinet.



**HEATLIE**  
BARBECUES

Principal.  
Kitchens

## ISLAND GOURMET ELITE BY HEATILE

The Island Gourmet Elite is Heatlie's Australian made, outdoor kitchen BBQ solution. Drop this built-in BBQ into your benchtop with minimal fuss and start entertaining your friends and family with ease. The Island Gourmet Elite comes in two sizes, the 600 and the 850, and has some serious versatility.

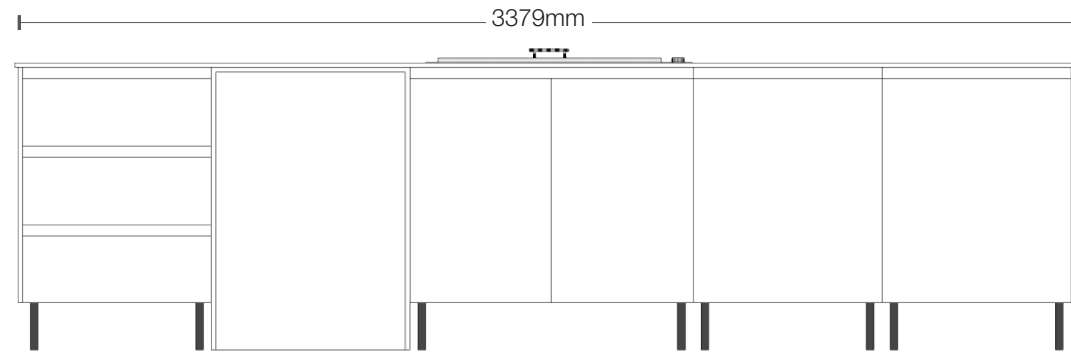
Sitting level with minimal obstruction, this outdoor kitchen BBQ features innovative Zero Clearance technology that allows for the barbecue to be built into any outdoor benchtop, including combustible materials (a first of its kind!). This leads to a stylish look that is cohesive with any design aesthetic whilst providing you with a high-quality Alfresco cooking experience.

### FEATURES

- Sleek and stylish flat plate design
- Perfect for outdoor alfresco areas
- Almost no assembly, just drop in and start cooking
- Flat lid and handle included to protect plate
- Exceptional power and even heat coverage
- Handy plate lifting tool for easy cleaning
- Hood and grill plate upgrade available
- 10-year manufacturer's warranty\*

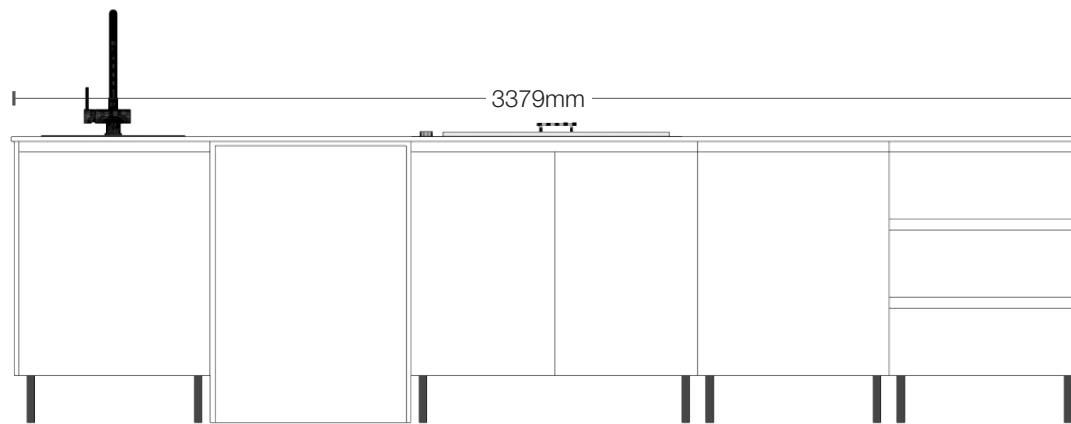


## CONFIGURATIONS VERSION 3 900MM



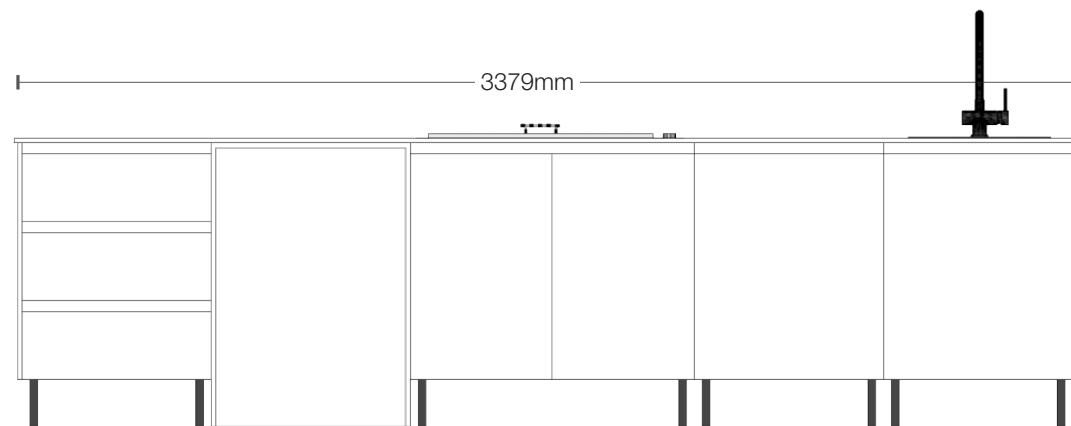
**900MM BBQ CABINET SET**

Description	Calcutta Grey	White Cement	Catalina Marble	Metallic Texture
Charcoal	561.16.077	561.16.078	561.16.080	561.16.079
Black	561.16.102	561.16.104	561.16.103	561.16.105



**900MM BBQ CABINET SET WITH SINK & TAP LH**

Description	Calcutta Grey	White Cement	Catalina Marble	Metallic Texture
Charcoal	561.16.081	561.16.082	561.16.084	561.16.083
Black	561.16.106	561.16.107	561.16.108	561.16.110

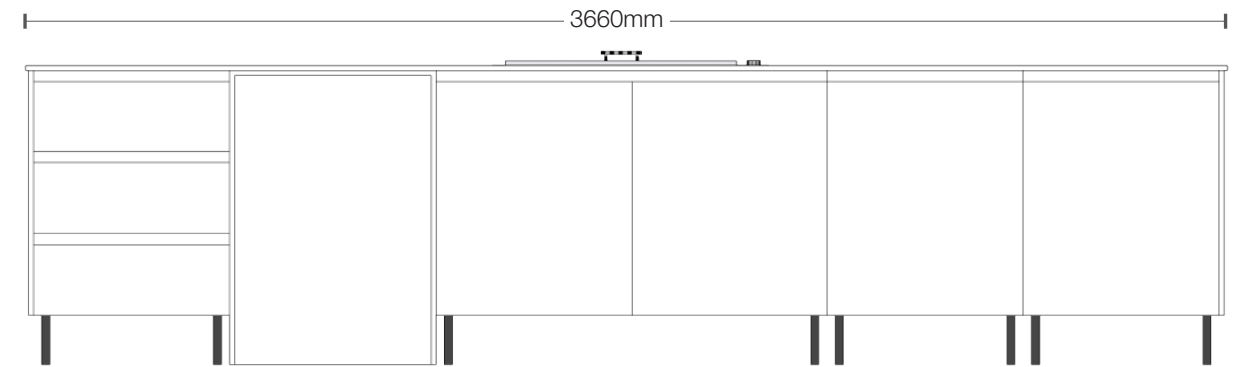


**900MM BBQ CABINET SET WITH SINK & TAP RH**

Description	Calcutta Grey	White Cement	Catalina Marble	Metallic Texture
Charcoal	561.16.085	561.16.087	561.16.086	561.16.088
Black	561.16.109	561.16.112	561.16.111	561.16.113

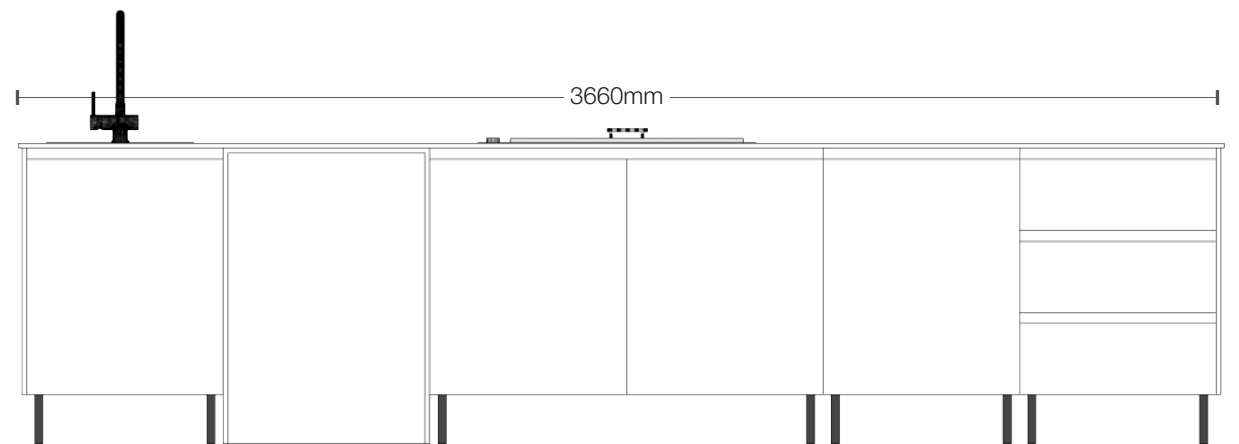
Cabinets included: 900mm BBQ Cabinet, Gas Bottle Cabinet, Cabinet with Shelf, Fridge Cabinet, Drawer Cabinet.

## CONFIGURATIONS VERSION 3 1200MM



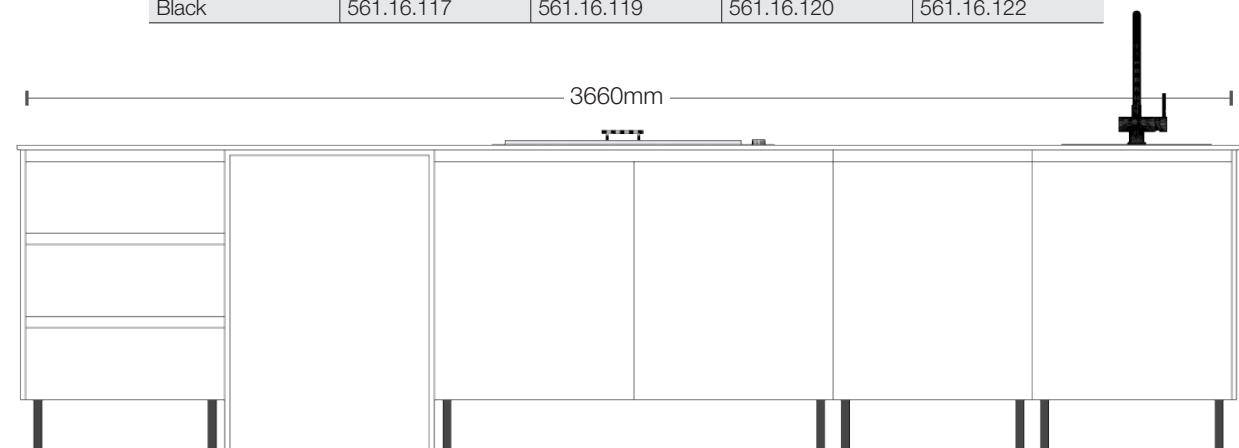
**1200MM BBQ CABINET**

Description	Calcutta Grey	White Cement	Catalina Marble	Metallic Texture
Charcoal	561.16.089	561.16.091	561.16.092	561.16.093
Black	561.16.114	561.16.115	561.16.116	561.16.118



**1200MM BBQ CABINET SET WITH SINK & TAP LH**

Description	Calcutta Grey	White Cement	Catalina Marble	Metallic Texture
Charcoal	561.16.094	561.16.096	561.16.095	561.16.098
Black	561.16.117	561.16.119	561.16.120	561.16.122



**1200MM BBQ CABINET SET WITH SINK & TAP RH**

Description	Calcutta Grey	White Cement	Catalina Marble	Metallic Texture
Charcoal	561.16.097	561.16.099	561.16.100	561.16.101
Black	561.16.121	561.16.124	561.16.123	561.16.125

Cabinets included: 1200mm BBQ Cabinet, Gas Bottle Cabinet, Cabinet with Shelf, Fridge Cabinet, Drawer Cabinet.



## ALFRESCO ACCESSORIES

**120 CM OUTDOOR BOX CANOPY RANGEHOOD****ART. NO. 007.32.053**

- Stainless Steel 304
- Airflow 2000 m3/hr
- 6 rotatable LED lights
- 3 speed push button control
- 8 dishwasher safe baffle filters

**BEVERAGE FRIDGE  
60CM OUTDOORS****ART. NO. 539.10.000**

- Triple glazed heated glass door to prevent condensation.
- Single Zone, 118L capacity
- IPX4 Outdoor rating
- Internal LED strip lighting
- Electronic controls
- Temperature range 0-10°C
- Tropical rated: Ambient temp up to 43°C

**SINGLE BOWL  
SQUARELINE****ART. NO. 567.33.306**

- Single bowl
- Watermark certified designer waste
- Top mount fixing clips
- 32L bowl capacity

**GOOSENECK MIXER TAP  
PULL OUT NOZZLE****ART. NO. 569.41.030**

- Stainless steel
- 4 Star WELS Rating
- 7 litres per minute

## ALFRESCO ACCESSORIES

**CLEANING AGENT  
SINK PULL OUT UNIT****ART. NO. 549.24.912**

- Base mounted, under sink pull out unit.
- All plastic elements are detachable for easy cleaning and are dishwasher safe.
- One piece base with streamlined wire surround. Single bowl.

**TANDEM 30  
2 X 15 LITRE CAPACITY****ART. NO. 502.70.252**

- Designed to be withdrawn from the cabinet whilst the lid lifts and remains in the cabinet
- The frame incorporates its own runners and is secured to the carcass base

**SURFACE CLEANER  
SUPER MATTE LAMINATE CLEANER****ART. NO. 007.32.053**

- Cleans Super Matte leaving it. Fingerprint and streak free.
- Cleans safely and is biodegradable.
- Environmentally friendly.
- A good quality Specialist Cleaner is necessary to keep this surface free from fingerprints watermarks etc.

**STAINLESS STEEL CUTLERY TRAY  
FOR HÄFELE ALTO DRAWER****ART. NO. 554.98.072**

- Suitable for Häfele Alto drawers with a depth of 500mm
- Cutlery tray configurations will not fit the entire drawer width, but have been designed to provide a space left or right of the tray for long utensils.



**Principal.**  
Kitchens