

2 Door Sliding Mirrored Wardrobe

ASSEMBLY INSTRUCTIONS

• ASSEMBLE ON A LEVEL, CLEAN SURFACE •
• TWO PERSON ASSEMBLY RECOMMENDED •

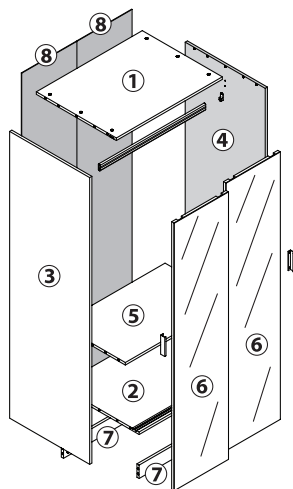
PAGE 1

TWO PERSON ASSEMBLY



PANELS:

- 1 - TOP PANEL
- 2 - BASE PANEL
- 3 - LEFT SIDE
- 4 - RIGHT SIDE
- 5 - SHELF
- 6 - MIRROR DOOR (x2)
- 7 - TOE PANEL (x2)
- 8 - BACKBOARD (x2)



BE AWARE

WHEN THE THIN EDGE OF A PANEL FACES FORWARD IN A UNIT, THAT EDGE SHOULD ALWAYS BE WHITE.

LIST OF PARTS:

ID	DIAGRAM / DESCRIPTION	Qty
A	MINIFIX	26
B	CAM LOCK	26
C	WOOD DOWEL	12
D	M3.5 SCREW (14mm)	36
E	HANGING RAIL BRACKET	2
F	HANGING RAIL	1
G	PIN BRACKET	4
H	WHEEL BRACKET	4
I	NAIL	40
J	NAIL LEG STUD	4
K	DOOR HANDLE SET (INCLUDES) M3.5 SCREW (14mm)	1 SET
L	ANTI-TIP BRACKET SET	1 SET

WHITE MATT FINISH

1800mm H 800mm W 580mm D

CARE CAUTION: TO CLEAN PARTICLE BOARD WITH MELAMINE FINISH, PLEASE CLEAN WITH A SOFT, DRY CLOTH. DO NOT USE CHEMICALS OR DETERGENTS AND AVOID WATER AND DIRECT SUNLIGHT.

WARNING: Tip-over hazard.



WARNING: It is **STRONGLY RECOMMENDED** that you **ANCHOR** this product by installing the **ANTI-TIP BRACKET** and **SCREWS** (Step 7) and **ATTACHING** the **Faulkner 2 Door Sliding Mirrored Wardrobe** to a **SOLID, FLAT WALL**.

DANGER: TOPPLING FURNITURE CAN CAUSE SERIOUS INJURIES AND DEATH.

IMPORTANT: Regularly check that Anti-Tip Bracket and Screws are securely maintained. Stability of tall items may be affected by thick carpets and uneven floors, or uneven and unstable walls.

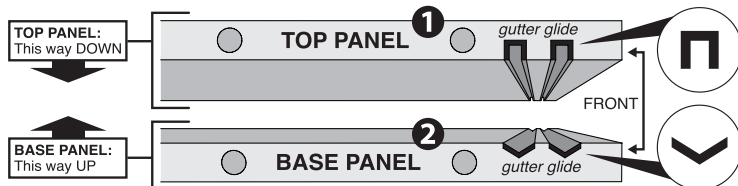
SAFETY: Carefully check for any electrical wires or plumbing inside the wall before drilling any holes (If unsure, contact a qualified Tradesman).

Walls are constructed from different materials (i.e: Masonry = Solid Wall, Plasterboard = Hollow Wall) so it is important to use appropriate wall fixings and screws for your wall type. Your local Hardware Store will stock the necessary extra screws, drill bits and fixings, and can offer suitable advice if needed. **DO NOT** place TV Sets or other heavy objects on top of this Unit. **DO NOT** overload the shelves of this Unit. **NEVER** allow children or adults to climb or hang on this Unit.

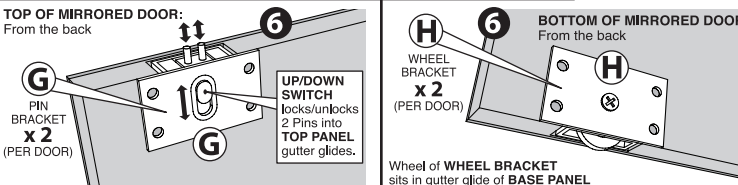
ASSEMBLY:

IDENTIFYING THE TOP & BASE PANEL

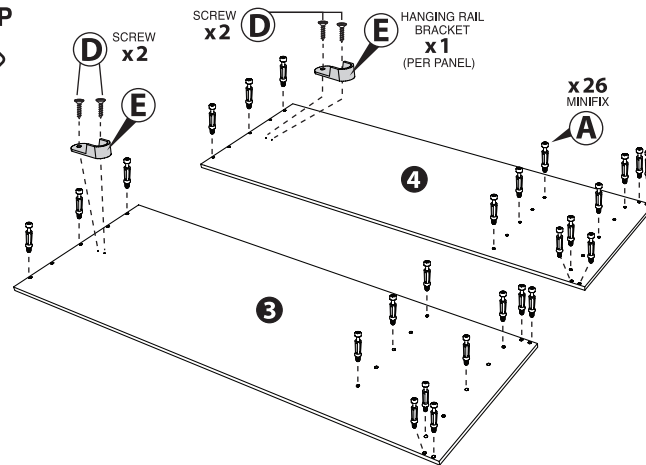
NOTE: Panel gutter glide shapes



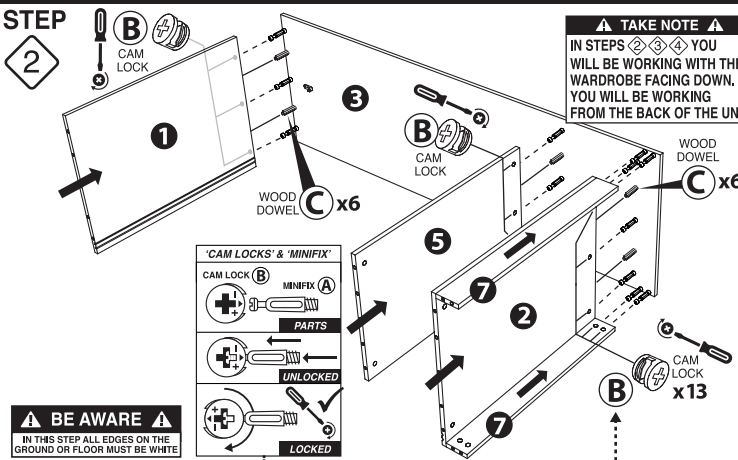
IDENTIFYING THE DOOR GLIDE MECHANISMS



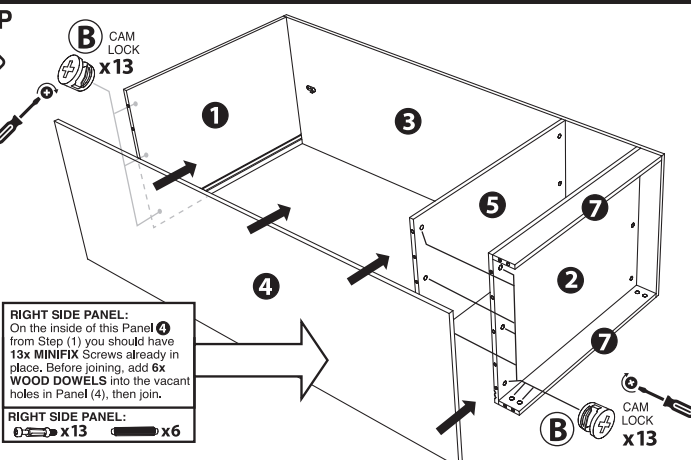
STEP 1



STEP 2



STEP 3

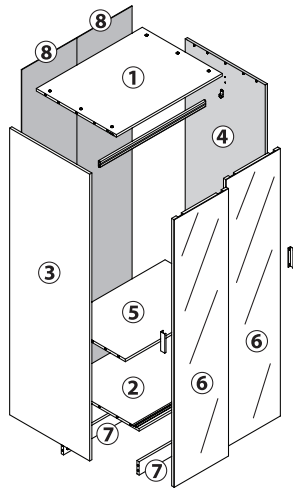


2 Door Sliding Mirrored Wardrobe

ASSEMBLY INSTRUCTIONS

• ASSEMBLE ON A LEVEL, CLEAN SURFACE •
• TWO PERSON ASSEMBLY RECOMMENDED •

TWO PERSON ASSEMBLY



PANELS:

- 1 - TOP PANEL
- 2 - BASE PANEL
- 3 - LEFT SIDE
- 4 - RIGHT SIDE
- 5 - SHELF
- 6 - MIRROR DOOR (x2)
- 7 - TOE PANEL (x2)
- 8 - BACKBOARD (x2)

BE AWARE

WHEN THE THIN EDGE OF A PANEL FACES FORWARD IN A UNIT, THAT EDGE SHOULD ALWAYS BE WHITE

LIST OF PARTS:

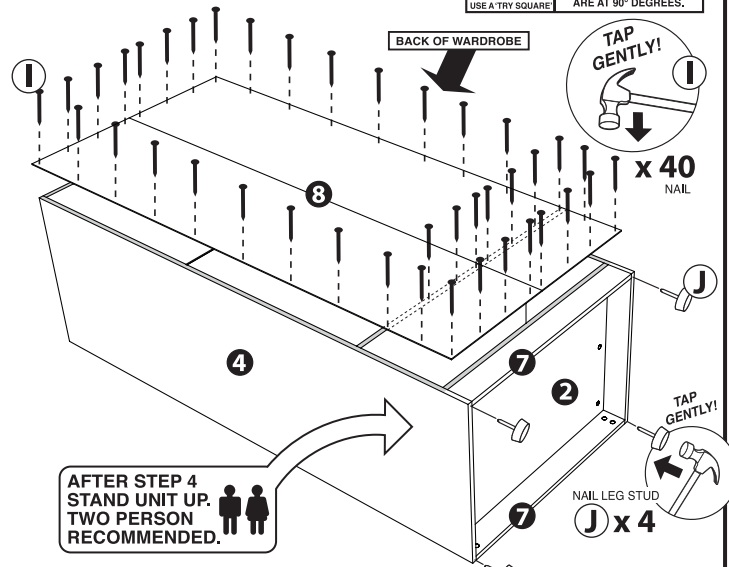
ID	DIAGRAM / DESCRIPTION	Qty
A	MINIFIX	26
B	CAM LOCK	26
C	WOOD DOWEL	12
D	M3.5 SCREW (14mm)	36
E	HANGING RAIL BRACKET	2
F	HANGING RAIL	1
G	PIN BRACKET	4
H	WHEEL BRACKET	4
I	NAIL	40
J	NAIL LEG STUD	4
K	DOOR HANDLE SET (INCLUDES) M3.5 SCREW (14mm)	1 SET
L	ANTI-TIP BRACKET SET	1 SET

ASSEMBLY: (cont)

STEP 4

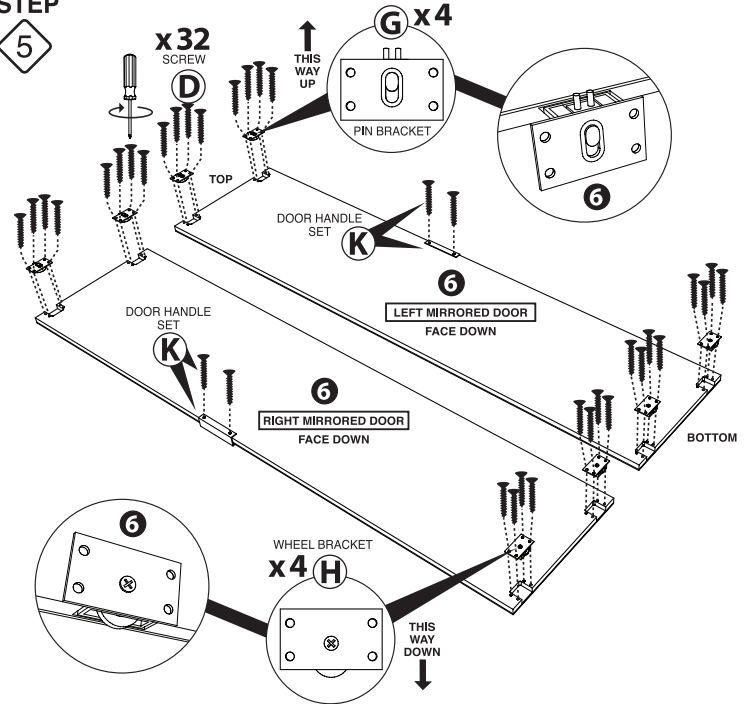
CAUTION
DO NOT ATTEMPT TO FIX THE BACKBOARDS ⑧ TO THE BACK OF THIS UNIT UNLESS YOU HAVE CHECKED THAT ALL OUTER UNIT CORNERS ARE SQUARE AND AT 90° DEGREES. TAKE MEASUREMENTS, USE A SPIRIT LEVEL, OR A 'TRY SQUARE' TO CONFIRM THAT THE UNIT IS SQUARE AND READY FOR FIXING THE BACKBOARDS ⑧ TO IT.

IMPORTANT
ALL PANELS MUST LINE UP 100% OF THE TIME AT 90° DEGREES. THIS INCLUDES THE OUTER UNIT, DOORS, SHELVES, MIRRORS & DRAWERS. THROUGH THE ASSEMBLY PROCESS MEASURE ALL CORNERS AND ENSURE THAT THEY ARE AT 90° DEGREES.



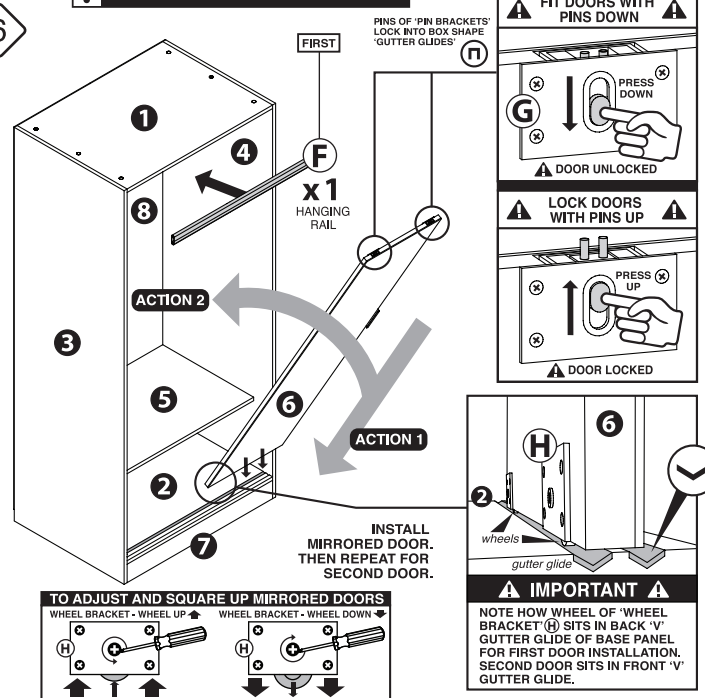
AFTER STEP 4 STAND UP UNIT. TWO PERSON RECOMMENDED.

STEP 5



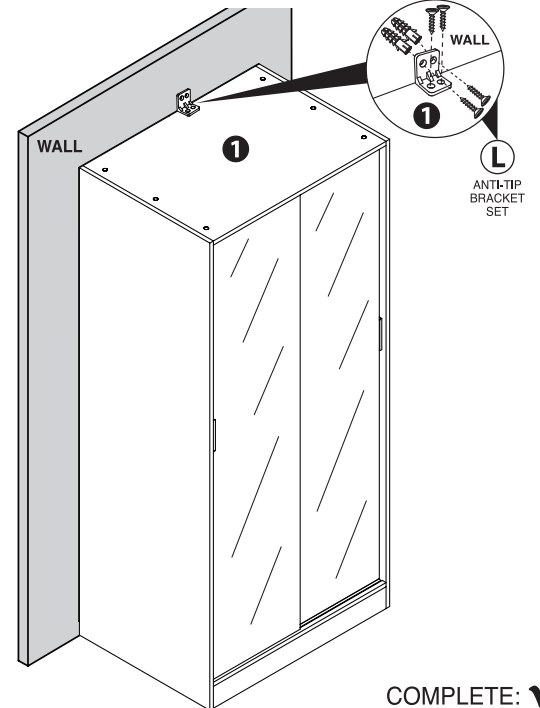
STEP 6

INSTALLING THE DOORS



STEP 7

FIX TO WALL



COMPLETE: ✓