

2 Door Sliding Mirrored Wardrobe with 2 Drawers

ASSEMBLY INSTRUCTIONS

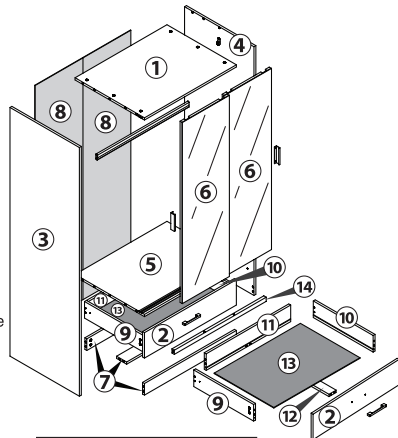
- ASSEMBLE ON A LEVEL, CLEAN SURFACE •
- TWO PERSON ASSEMBLY RECOMMENDED •

TWO PERSON ASSEMBLY



PANELS:

- 1 - TOP PANEL
- 2 - DRAWER FRONT (x2)
- 3 - LEFT SIDE
- 4 - RIGHT SIDE
- 5 - DRAWER SHELF
- 6 - MIRRORED DOOR (x2)
- 7 - TOE PANEL (x2)
- 8 & SIDE BRACE (X1) same
- 9 - BACKBOARD (x2)
- 10 - DRAWER LEFT (x2)
- 11 - DRAWER RIGHT (x2)
- 12 - DRAWER BACK (x2)
- 13 - DRAWER BRACE (x2)
- 14 - DRAWER BASE (x2)
- 15 - DRAWER CROSSBAR



BE AWARE
WHEN THE THIN EDGE OF A PANEL FACES FORWARD IN A UNIT, THAT EDGE SHOULD ALWAYS BE WHITE

Note: PANEL 7 (x2) are the same. Just the installation by rotation is different.

LIST OF PARTS:

| ID | DIAGRAM / DESCRIPTION | Qty | ID | DIAGRAM / DESCRIPTION | Qty |
|----|-----------------------|-----|----|--|-------|
| A | MINIFIX | 34 | M | DRAWER HANDLE | 2 |
| B | CAM LOCK | 34 | N | M4 SCREW (18mm) | 4 |
| C | WOOD DOWEL | 16 | O | DOOR HANDLE SET (INCLUDES) M3,5 SCREW (14mm) | 1 SET |
| D | M3,5 SCREW (14mm) | 52 | P | ANTI-TIP BRACKET SET | 1 SET |
| E | HANGING RAIL BRACKET | 2 | | | |
| F | HANGING RAIL | 1 | | | |
| G | PIN BRACKET | 4 | | | |
| H | WHEEL BRACKET | 4 | | | |
| I | NAIL | 40 | | | |
| J | NAIL LEG STUD | 4 | | | |
| K | M4 SCREW (40mm) | 10 | | | |
| L | DRAWER SLIDES | 4 | | | |

WHITE MATT FINISH

1800mm H | 800mm W | 580mm D

CARE CAUTION: TO CLEAN PARTICLE BOARD WITH MELAMINE FINISH, PLEASE CLEAN WITH A SOFT, DRY CLOTH. DO NOT USE CHEMICALS OR DETERGENTS AND AVOID WATER AND DIRECT SUNLIGHT.

WARNING: Tip-over hazard.



WARNING: It is **STRONGLY RECOMMENDED** that you **ANCHOR** this product by installing the **ANTI-TIP BRACKET** and **SCREWS** (Step 7) and **ATTACHING** the **Faulkner 2 Door Sliding Mirrored Wardrobe with 2 Drawers** to a **SOLID, FLAT WALL**.

DANGER: TOPPLING FURNITURE CAN CAUSE SERIOUS INJURIES AND DEATH.

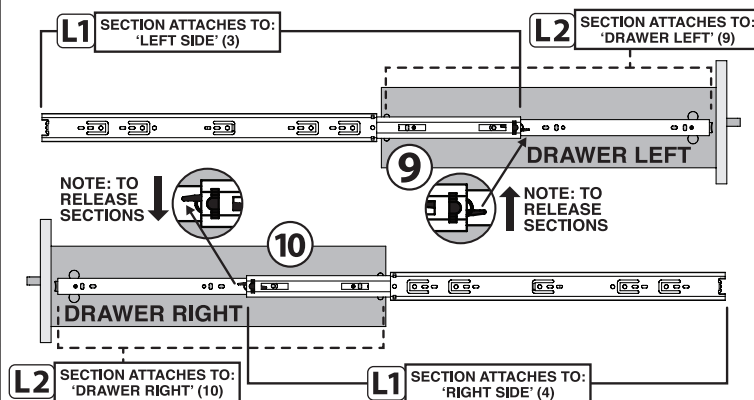
IMPORTANT: Regularly check that Anti-Tip Bracket and Screws are securely maintained. Stability of tall items may be affected by thick carpets and uneven floors, or uneven and unstable walls.

SAFETY: Carefully check for any electrical wires or plumbing inside the wall before drilling any holes (If unsure, contact a qualified Tradesman).

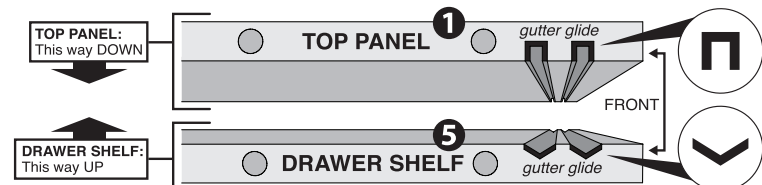
Walls are constructed from different materials (i.e: Masonry = Solid Wall, Plasterboard = Hollow Wall) so it is important to use appropriate wall fixings and screws for your wall type. Your local Hardware Store will stock the necessary extra screws, drill bits and fixings, and can offer suitable advice if needed. **DO NOT** place TV Sets or other heavy objects on top of this Unit. **DO NOT** overload the shelves of this Unit. **NEVER** allow children or adults to climb or hang on this Unit.

ASSEMBLY:

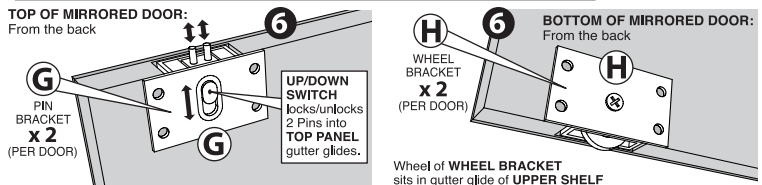
! UNDERSTANDING THE DRAWER SLIDES



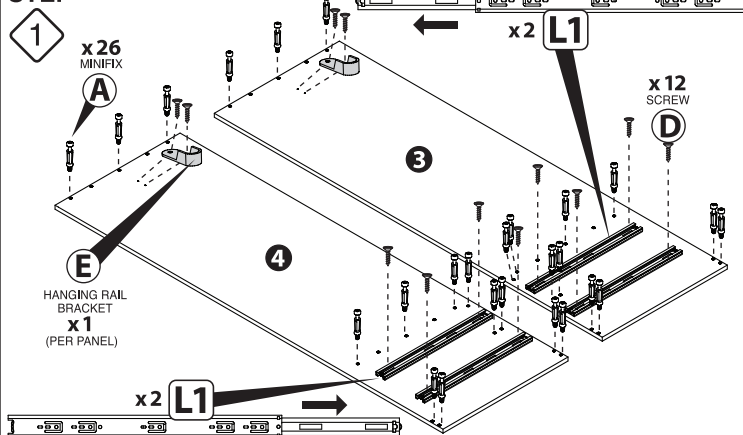
! IDENTIFYING THE TOP PANEL & UPPER SHELF



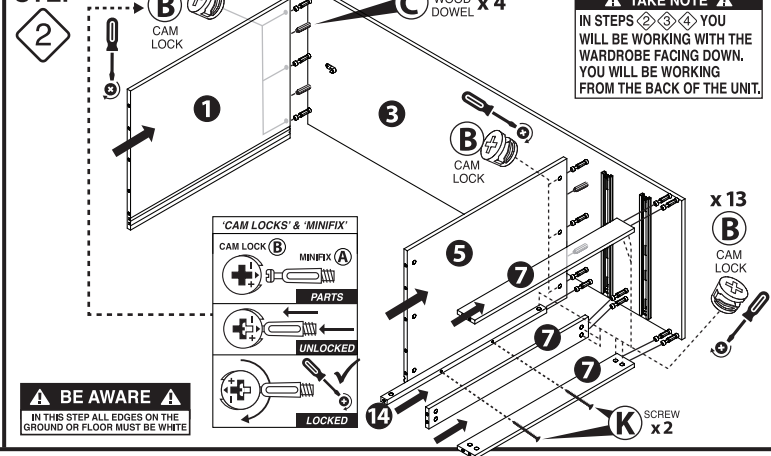
! IDENTIFYING THE DOOR GLIDE MECHANISMS



STEP 1



STEP 2



2 Door Sliding Mirrored Wardrobe with 2 Drawers

ASSEMBLY INSTRUCTIONS

- ASSEMBLE ON A LEVEL, CLEAN SURFACE •
- TWO PERSON ASSEMBLY RECOMMENDED •

TWO PERSON ASSEMBLY



(RECOMMENDED)

PANELS:

- 1 - TOP PANEL
- 2 - DRAWER FRONT (x2)
- 3 - LEFT SIDE
- 4 - RIGHT SIDE
- 5 - DRAWER SHELF
- 6 - MIRROR DOOR (x2)
- 7 - TOE PANEL (x2)
- 8 - BACKBOARD (x2)
- 9 - DRAWER LEFT (x2)
- 10 - DRAWER RIGHT (x2)
- 11 - DRAWER BACK (x2)
- 12 - DRAWER BRACE (x2)
- 13 - DRAWER BASE (x2)
- 14 - DRAWER CROSSBAR

BE AWARE
WHEN THE THIN EDGE OF A PANEL FACES FORWARD IN A UNIT, THAT EDGE SHOULD ALWAYS BE WHITE

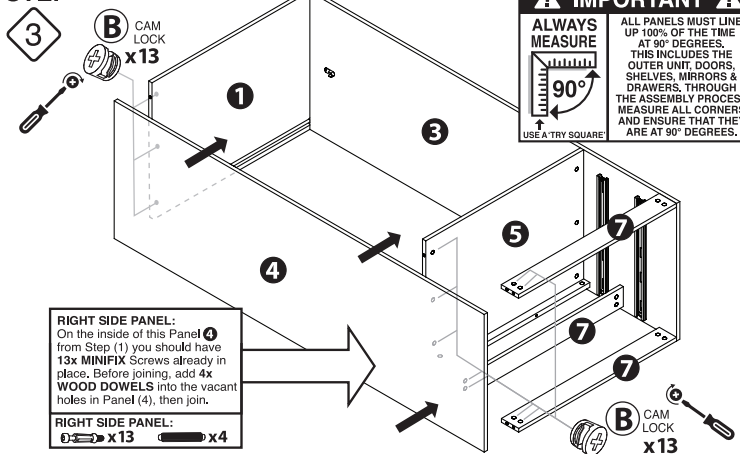
Note: PANEL 7 (x3) are the same. Just the installation by rotation is different.

LIST OF PARTS:

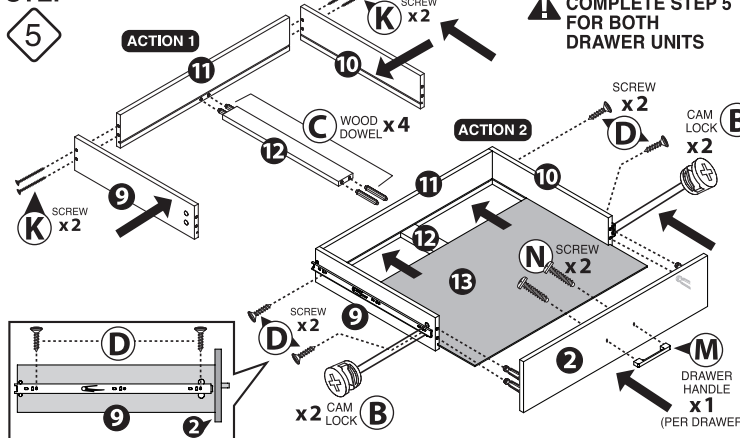
| ID | DIAGRAM / DESCRIPTION | Qty | ID | DIAGRAM / DESCRIPTION | Qty |
|----|-----------------------|-----|----|--|-------|
| A | MINIFIX | 34 | M | DRAWER HANDLE | 2 |
| B | CAM LOCK | 34 | N | M4 SCREW (18mm) | 4 |
| C | WOOD DOWEL | 16 | O | DOOR HANDLE SET (INCLUDES M3.5 SCREW (14mm)) | 1 SET |
| D | M3.5 SCREW (14mm) | 52 | P | ANTI-TIP BRACKET SET | 1 SET |
| E | HANGING RAIL BRACKET | 2 | | | |
| F | HANGING RAIL | 1 | | | |
| G | PIN BRACKET | 4 | | | |
| H | WHEEL BRACKET | 4 | | | |
| I | NAIL | 40 | | | |
| J | NAIL LEG STUD | 4 | | | |
| K | M4 SCREW (40mm) | 10 | | | |
| L | DRAWER SLIDES | 4 | | | |

ASSEMBLY: (cont)

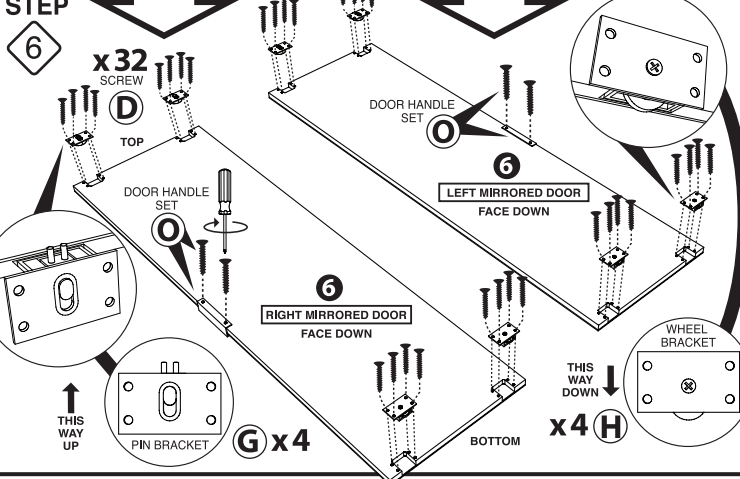
STEP 3



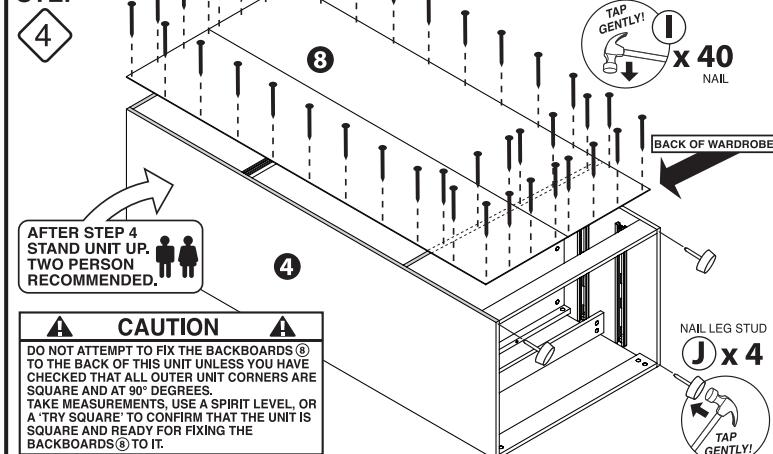
STEP 5



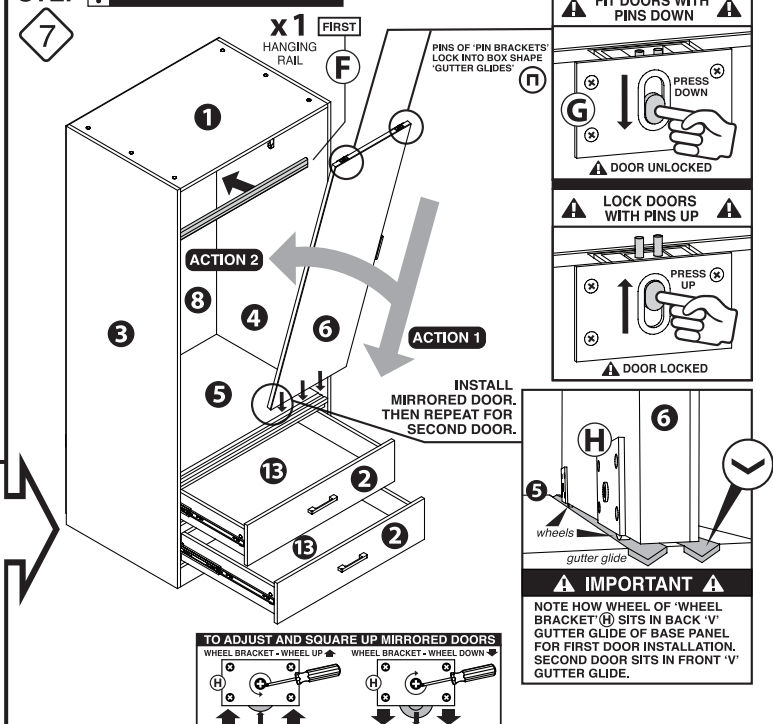
STEP 6



STEP 4



STEP 7 INSTALLING THE DOORS



STEP 8

