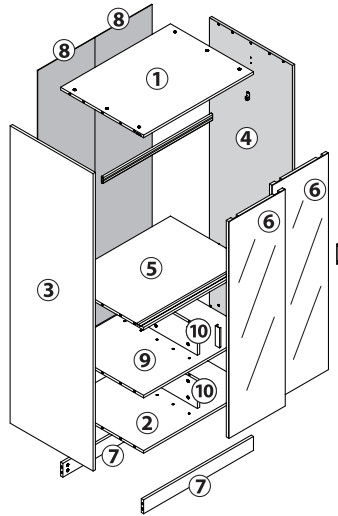


2 Door Sliding Mirrored Wardrobe with 4 Pigeon Holes

ASSEMBLY INSTRUCTIONS

• ASSEMBLE ON A LEVEL, CLEAN SURFACE •
• TWO PERSON ASSEMBLY RECOMMENDED •

PAGE 1



PANELS:

- 1 - TOP PANEL
- 2 - BASE PANEL
- 3 - LEFT SIDE
- 4 - RIGHT SIDE
- 5 - UPPER SHELF
- 6 - MIRRORED DOOR (x2)
- 7 - TOE PANEL (x2)
- 8 - BACKBOARD (x2)
- 9 - MIDDLE SHELF
- 10 - SHELF SEPARATORS (x2)

BE AWARE
WHEN THE THIN EDGE OF A PANEL FACES FORWARD IN A UNIT, THAT EDGE SHOULD ALWAYS BE WHITE

LIST OF PARTS:

| ID | DIAGRAM / DESCRIPTION | Qty |
|----|--|-------|
| A | MINIFIX | 44 |
| B | CAM LOCK | 44 |
| C | WOOD DOWEL | 24 |
| D | M3.5 SCREW (14mm) | 36 |
| E | HANGING RAIL BRACKET | 2 |
| F | HANGING RAIL | 1 |
| G | PIN BRACKET | 4 |
| H | WHEEL BRACKET | 4 |
| I | NAIL | 40 |
| J | NAIL LEG STUD | 4 |
| K | DOOR HANDLE SET (INCLUDES) M3.5 SCREW (14mm) | 1 SET |
| L | ANTI-TIP BRACKET SET | 1 SET |

WHITE MATT FINISH

1800mm H 800mm W 580mm D

CARE CAUTION: TO CLEAN PARTICLE BOARD WITH MELAMINE FINISH, PLEASE CLEAN WITH A SOFT, DRY CLOTH. DO NOT USE CHEMICALS OR DETERGENTS AND AVOID WATER AND DIRECT SUNLIGHT.

WARNING: Tip-over hazard.



WARNING: It is **STRONGLY RECOMMENDED** that you **ANCHOR** this product by installing the **ANTI-TIP BRACKET** and **SCREWS** (Step 8) and **ATTACHING** the **Faulkner 2 Door Sliding Mirrored Wardrobe with 4 Pigeon Holes** to a **SOLID, FLAT WALL**.

DANGER: TOPPLING FURNITURE CAN CAUSE SERIOUS INJURIES AND DEATH.

IMPORTANT: Regularly check that Anti-Tip Bracket and Screws are securely maintained. Stability of tall items may be affected by thick carpets and uneven floors, or uneven and unstable walls.

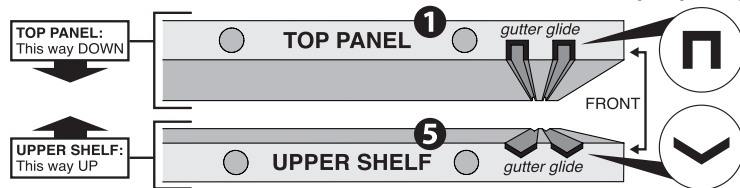
SAFETY: Carefully check for any electrical wires or plumbing inside the wall before drilling any holes (If unsure, contact a qualified Tradesman).

Walls are constructed from different materials (i.e: Masonry = Solid Wall, Plasterboard = Hollow Wall) so it is important to use appropriate wall fixings and screws for your wall type. Your local Hardware Store will stock the necessary extra screws, drill bits and fixings, and can offer suitable advice if needed. **DO NOT** place TV Sets or other heavy objects on top of this Unit. **DO NOT** overload the shelves of this Unit. **NEVER** allow children or adults to climb or hang on this Unit.

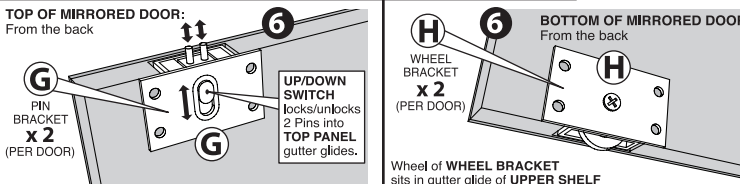
ASSEMBLY:

IDENTIFYING THE TOP PANEL & UPPER SHELF

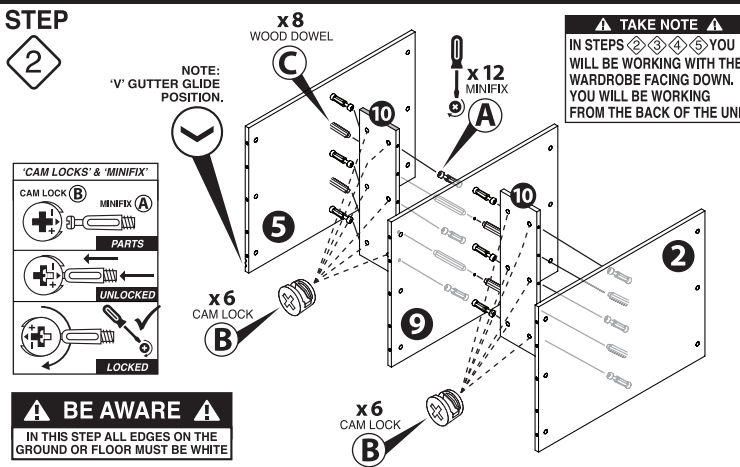
NOTE: Panel gutter glide shapes



IDENTIFYING THE DOOR GLIDE MECHANISMS

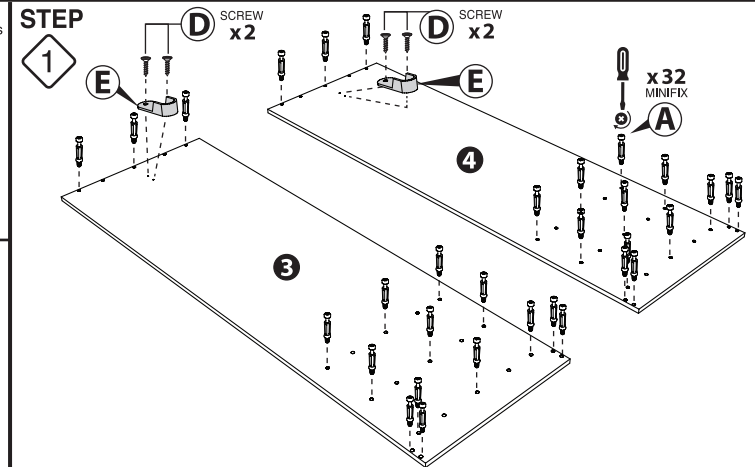


STEP 2

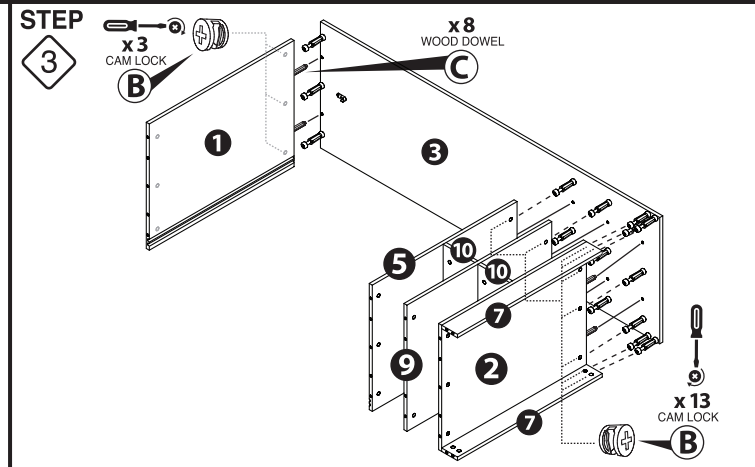


BE AWARE
IN THIS STEP ALL EDGES ON THE GROUND OR FLOOR MUST BE WHITE

STEP 1



STEP 3



HW0927

2 Door Sliding Mirrored Wardrobe with 4 Pigeon Holes

ASSEMBLY INSTRUCTIONS

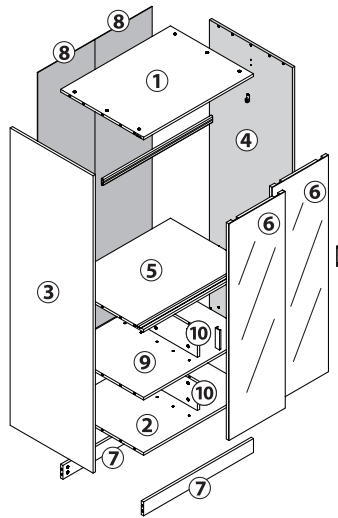
- ASSEMBLE ON A LEVEL, CLEAN SURFACE •
- TWO PERSON ASSEMBLY RECOMMENDED •

PAGE 2



PANELS:

- 1 - TOP PANEL
- 2 - BASE PANEL
- 3 - LEFT SIDE
- 4 - RIGHT SIDE
- 5 - UPPER SHELF
- 6 - MIRRORED DOOR (x2)
- 7 - TOE PANEL (x2)
- 8 - BACKBOARD (x2)
- 9 - MIDDLE SHELF
- 10 - SHELF SEPARATORS (x2)



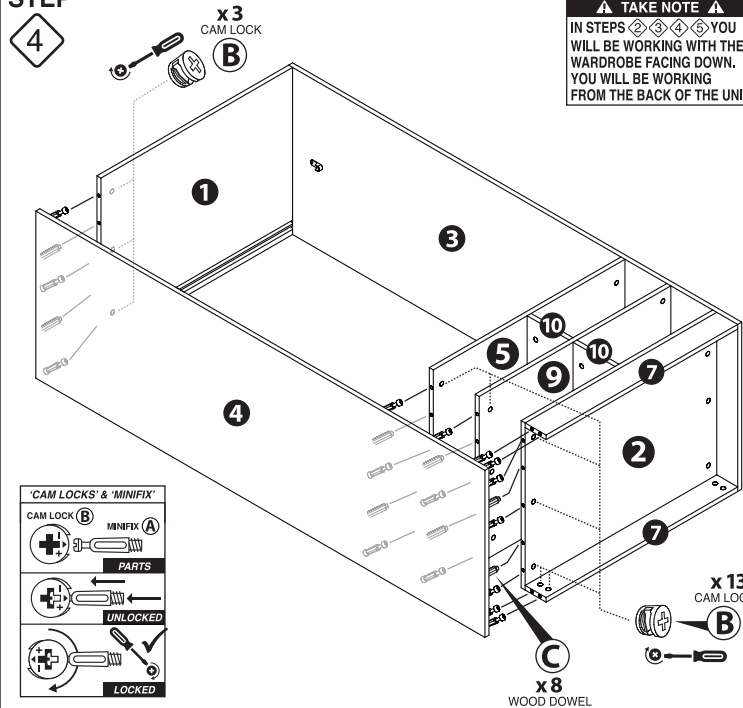
BE AWARE
WHEN THE THIN EDGE OF A PANEL FACES FORWARD IN A UNIT, THAT EDGE SHOULD ALWAYS BE WHITE

LIST OF PARTS:

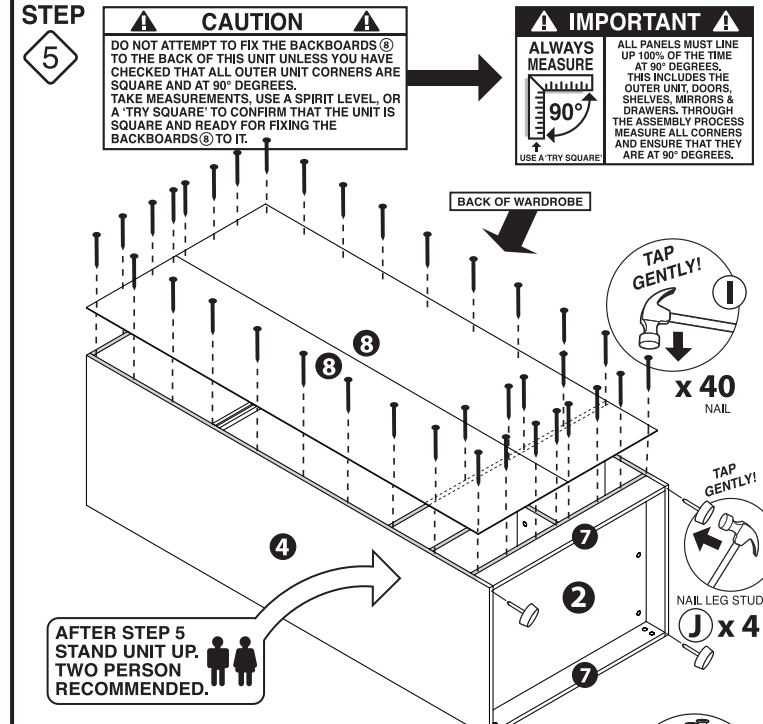
| ID | DIAGRAM / DESCRIPTION | Qty |
|----|--|-------|
| A | MINIFIX | 44 |
| B | CAM LOCK | 44 |
| C | WOOD DOWEL | 24 |
| D | M3.5 SCREW (14mm) | 36 |
| E | HANGING RAIL-BRACKET | 2 |
| F | HANGING RAIL | 1 |
| G | PIN BRACKET | 4 |
| H | WHEEL BRACKET | 4 |
| I | NAIL | 40 |
| J | NAIL LEG STUD | 4 |
| K | DOOR HANDLE SET (INCLUDES M3.5 SCREW (14mm)) | 1 SET |
| L | ANTI-TIP BRACKET SET | 1 SET |

ASSEMBLY: (cont)

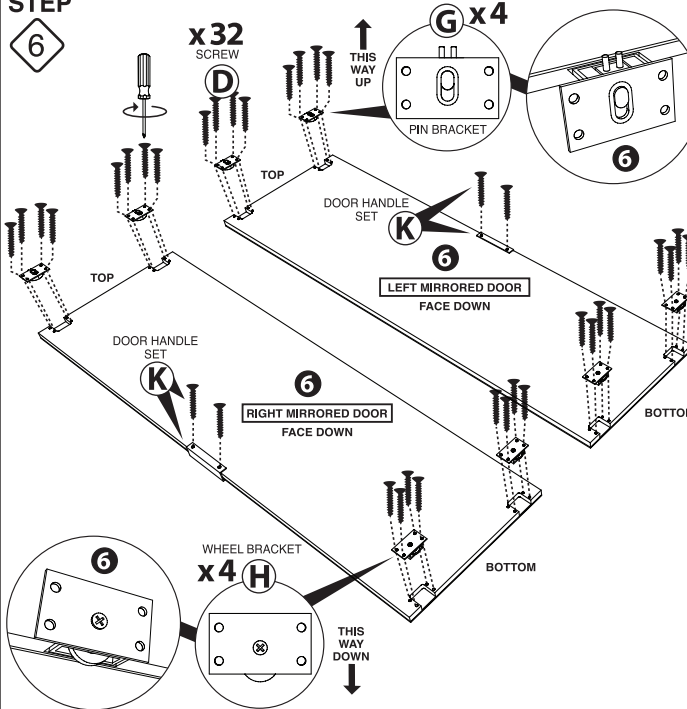
STEP 4



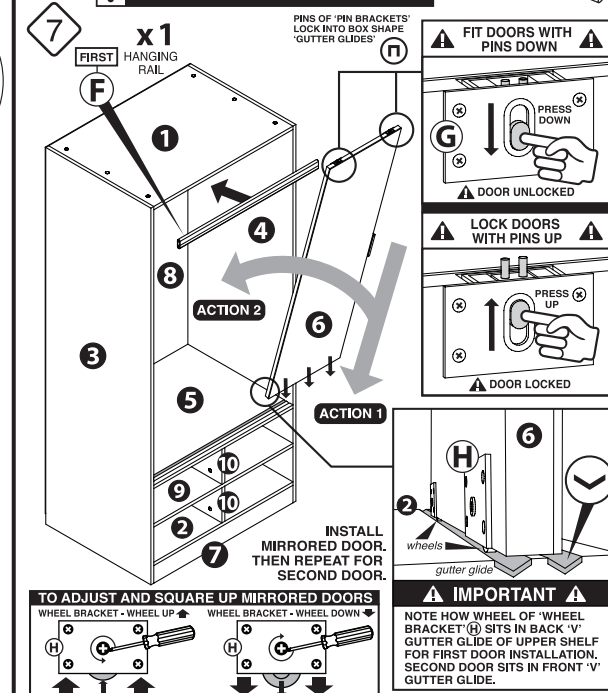
STEP 5



STEP 6



STEP 7 ! INSTALLING THE DOORS



STEP 8

